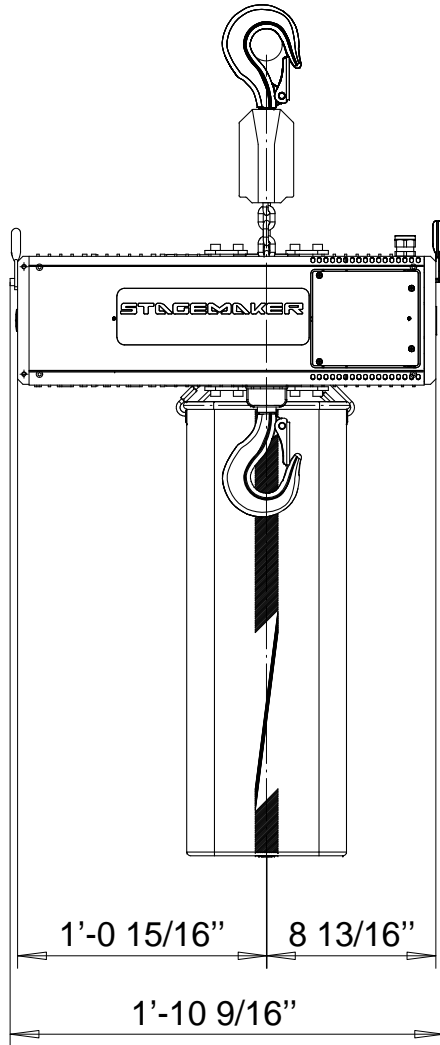
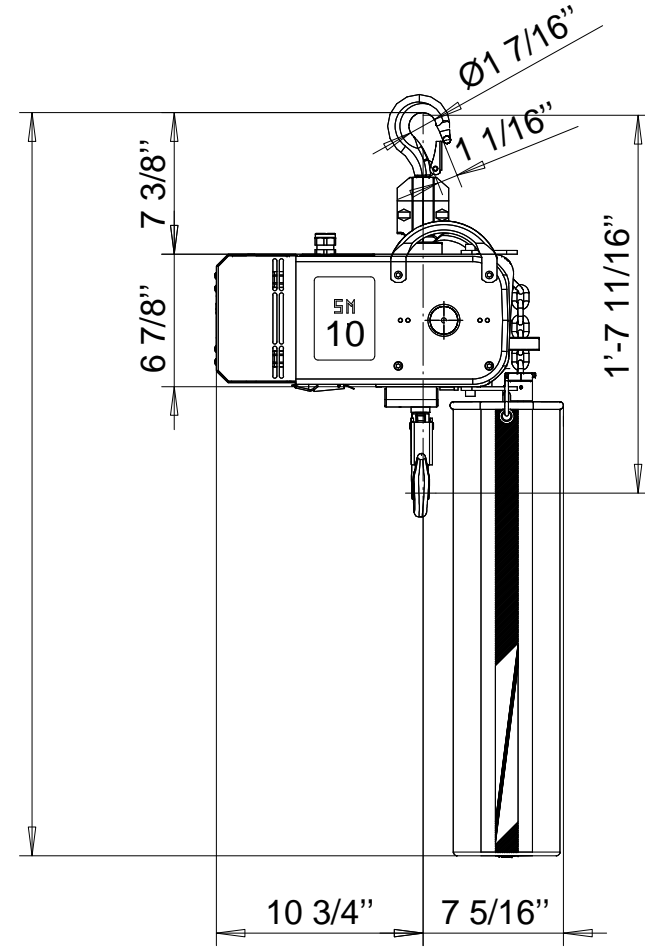
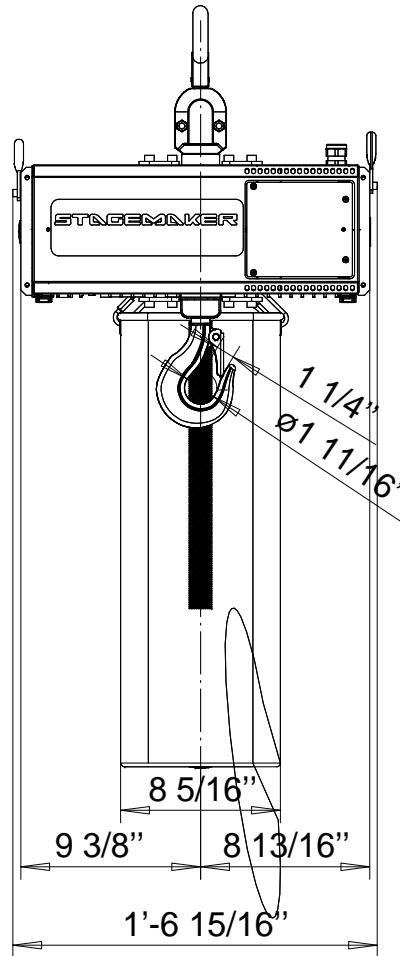


STAGEMAKER® SM10

CONFIGURATION V - STEPLESS CONTROL



SECOND BRAKE OPTION



L	DATE	ECN	DESCRIPTION	
STG Design		Chd	Appd	1 : 9.5 Scale
				B11130-604 V.vxp File
Drn		STAGEMAKER SM10 CONFIGURATION V		
KHS / R&M Dept	2007-09-07 Date	R&M Materials Handling Inc.		
R&M	R&M MATERIALS HANDLING, INC.	4501 Gateway Blvd, Springfield		
	HOIST & CRANE PRODUCTS			
	SPRINGFIELD, OHIO	B11130-604 V 1-FALL		
				Rev. 2007

Item	Qty	Description	Specification	Quality	Weight