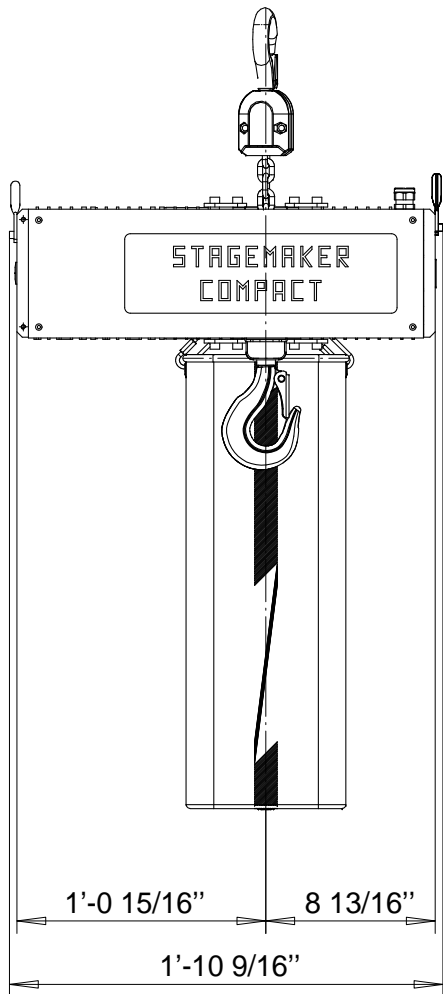
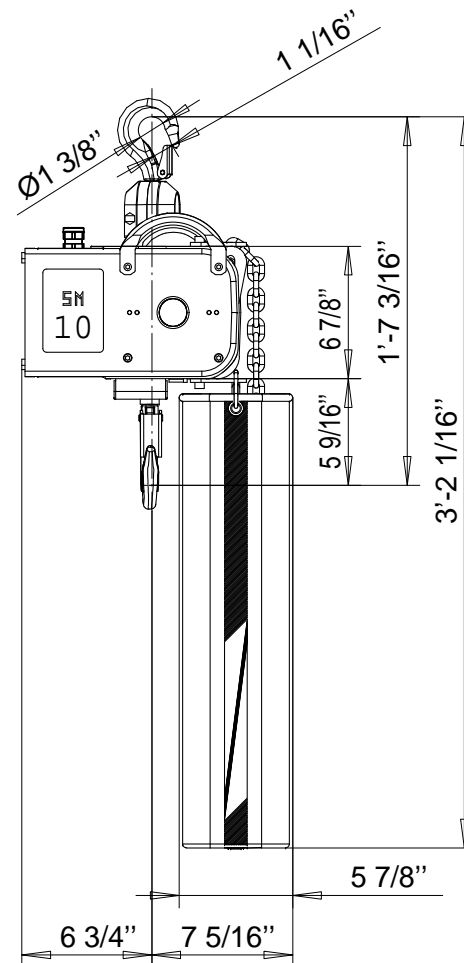
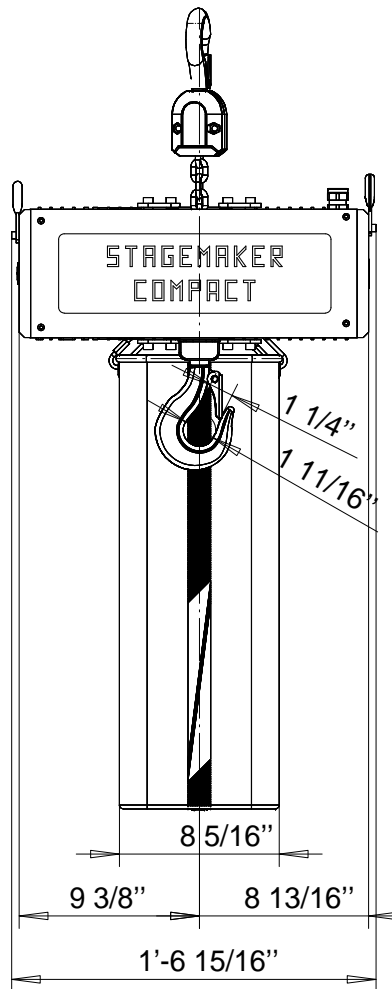


STAGEMAKER[®] SM10

CONFIGURATION B - LOW VOLTAGE CONTROL



SECOND BRAKE OPTION



L	DATE	ECN	DESCRIPTION	
STG Design		Chd	1 : 9.5 Scale	p_B11130-612 B File
Drn			STAGEMAKER SM10 CONFIGURATION B	
KHS / R&M Dept	2005-08-15 Date		R&M Materials Handling Inc.	
R&M	RAM MATERIALS HANDLING, INC		4501 Gateway Blvd, Springfield	
	HOIST & CRANE PRODUCTS		B11130-612 B 1 FALL	
	SPRINGFIELD, OHIO			Rev. 2005

Item	Qty	Description	Specification	Quality	Weight