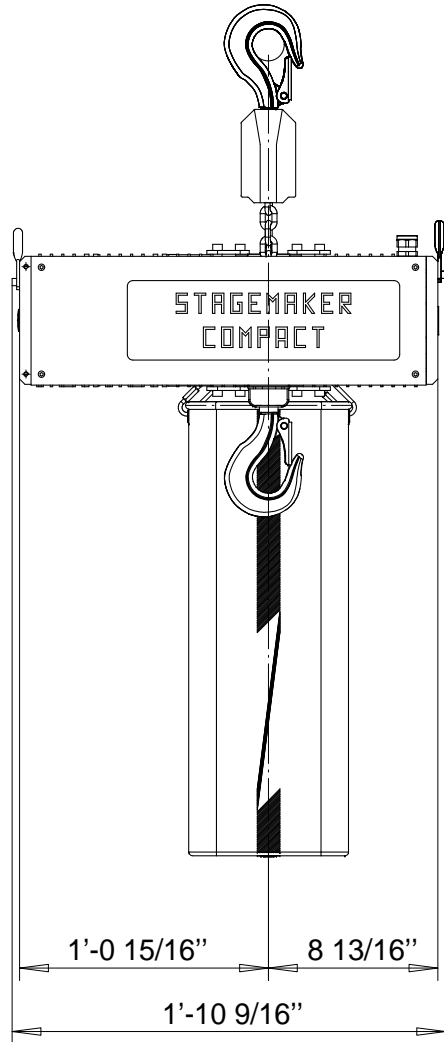
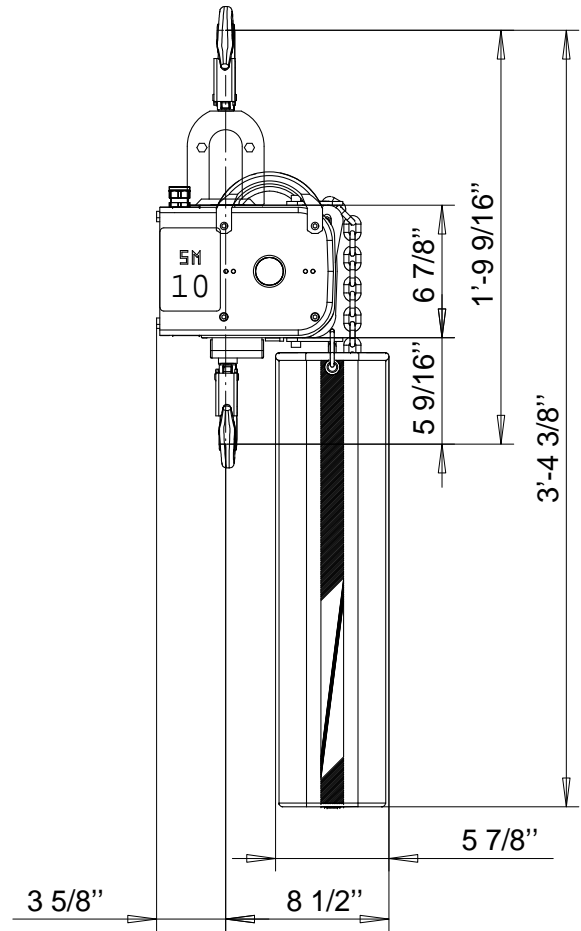
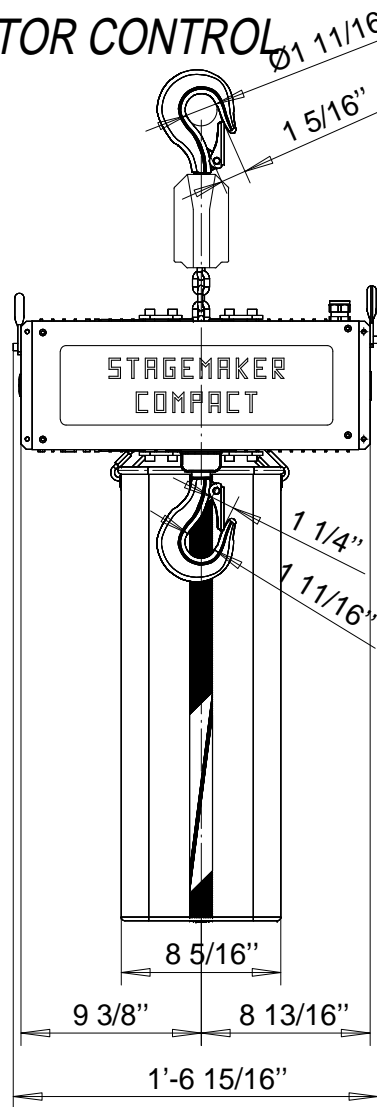


STAGEMAKER[®] SM10

CONFIGURATION A - DIRECT MOTOR CONTROL



SECOND BRAKE OPTION



L	DATE	ECN	DESCRIPTION	
STG Design		Chd	Appd	1 : 9.5 Scale p_B11130-615 A File
Drn		STAGEMAKER SM10 CONFIGURATION A		
KHS / R&M Dept	2005-08-15 Date	R&M Materials Handling Inc.		
R&M	R&M MATERIALS HANDLING, INC. HOIST & CRANE PRODUCTS SPRINGFIELD, OHIO	4501 Gateway Blvd, Springfield		
		B11130-615 A 2-FALL		
				Rev. 2005

Item	Qty	Description	Specification	Quality	Weight