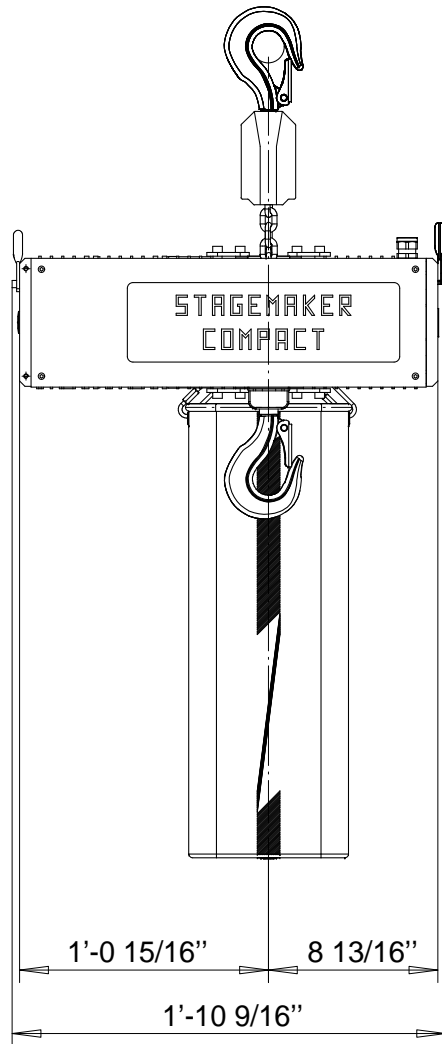
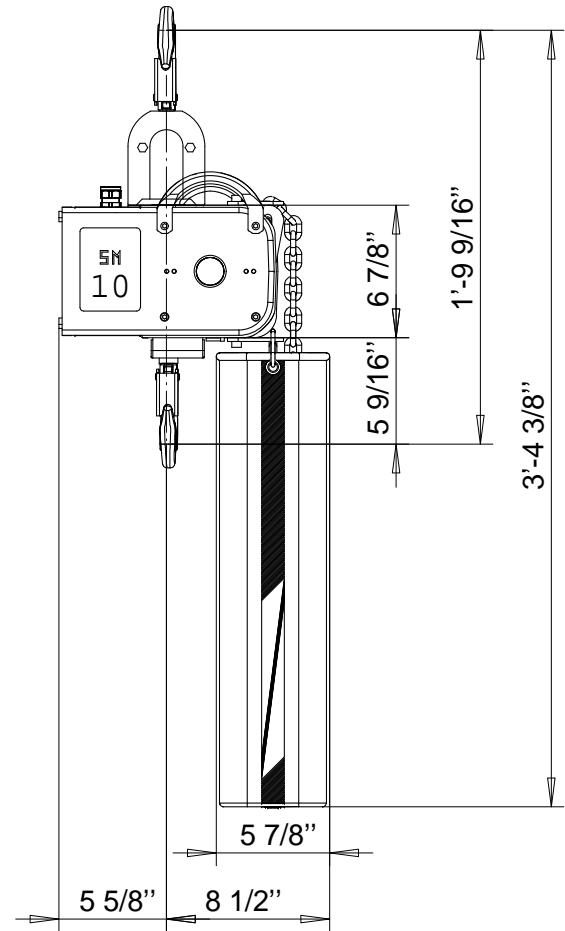
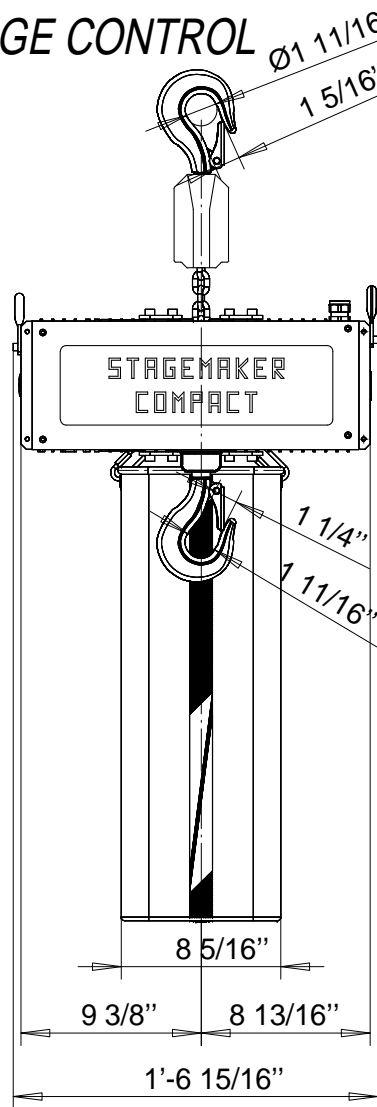


STAGEMAKER[®] SM10

CONFIGURATION B - LOW VOLTAGE CONTROL



SECOND BRAKE OPTION



L	DATE	ECN	DESCRIPTION	
STG Design		Chd	Appd	1 : 9.5 Scale
				p_B11130-615 B File
Drn		STAGEMAKER SM10 CONFIGURATION B		
KHS / R&M Dept	2005-08-15 Date	R&M Materials Handling Inc.		
		4501 Gateway Blvd, Springfield		
R&M MATERIALS HANDLING, INC.	HOIST & CRANE PRODUCTS	B11130-615 B 2-FALL		
	SPRINGFIELD, OHIO			Rev. 2005

Item	Qty	Description	Specification	Quality	Weight