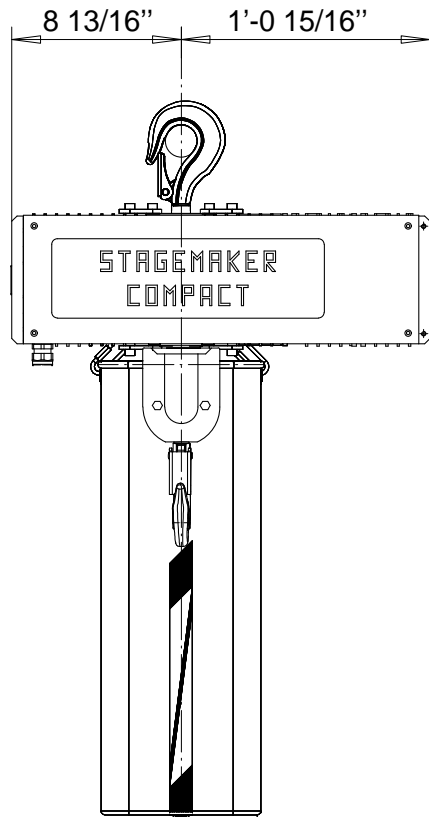
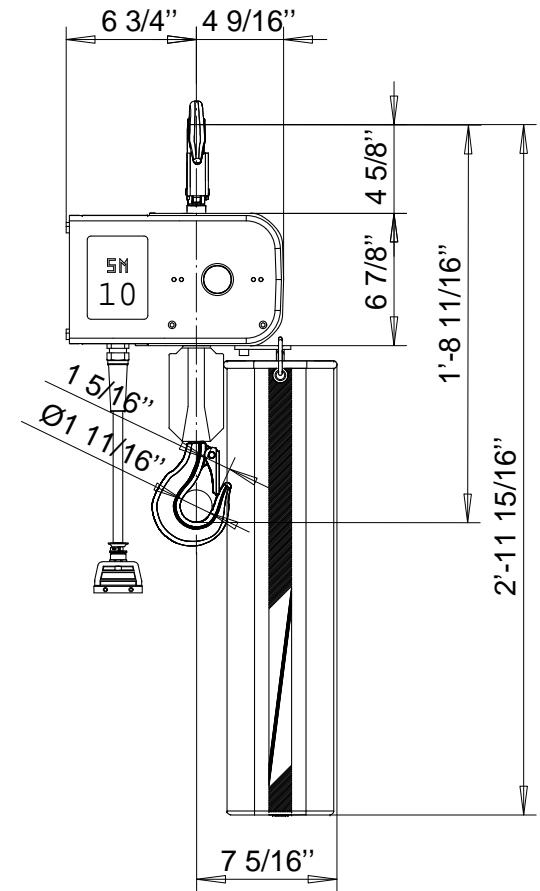
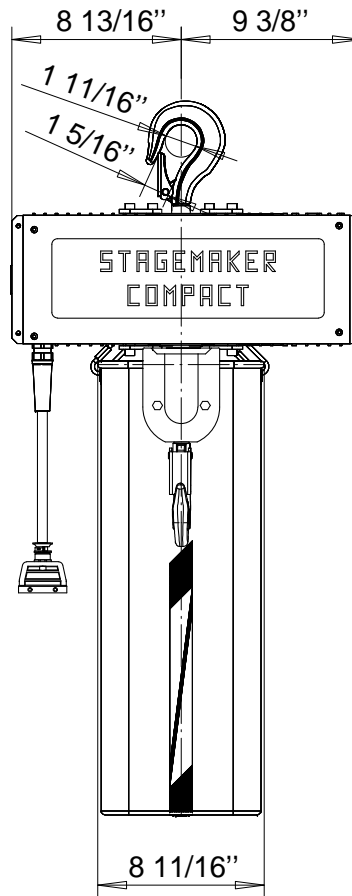


STAGEMAKER[®] SM10

CONFIGURATION C - LOW VOLTAGE CONTROL & PROGRAMMABLE CONTROLLER



SECOND BRAKE OPTION



L	DATE	ECN	DESCRIPTION	
STG Design		Chd	Appd	1 : 9.5 Scale
				p_B11130-617 C File
Drn		STAGEMAKER SM10 CONFIGURATION C		
KHS / R&M Dept	2005-08-15 Date	R&M Materials Handling Inc.		
R&M	R&M MATERIALS HANDLING, INC.	4501 Gateway Blvd, Springfield		
	HOIST & CRANE PRODUCTS			
	SPRINGFIELD, OHIO	B11130-617 C 2-FALL		
				Rev. 2005

Item	Qty	Description	Specification	Quality	Weight