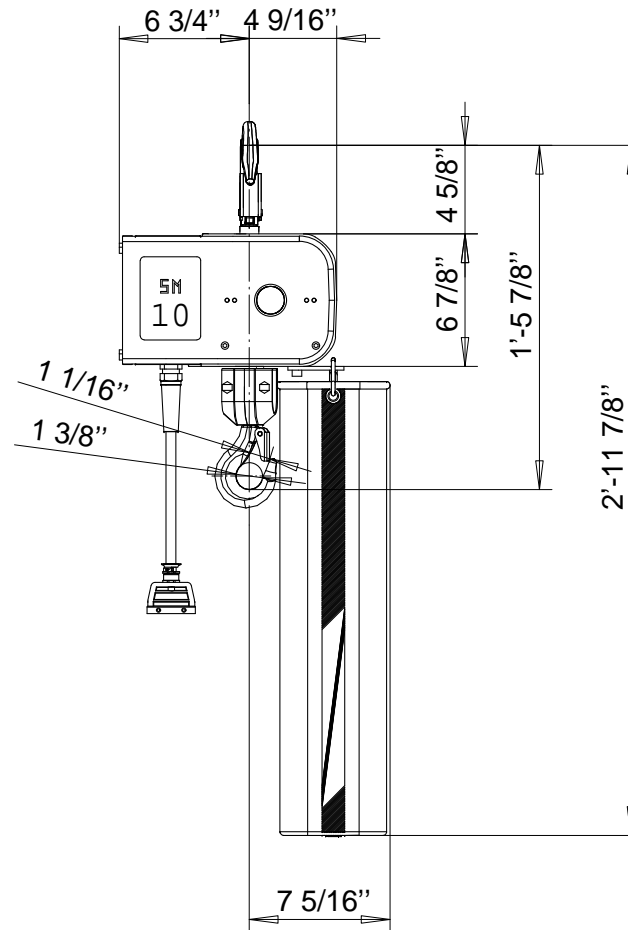
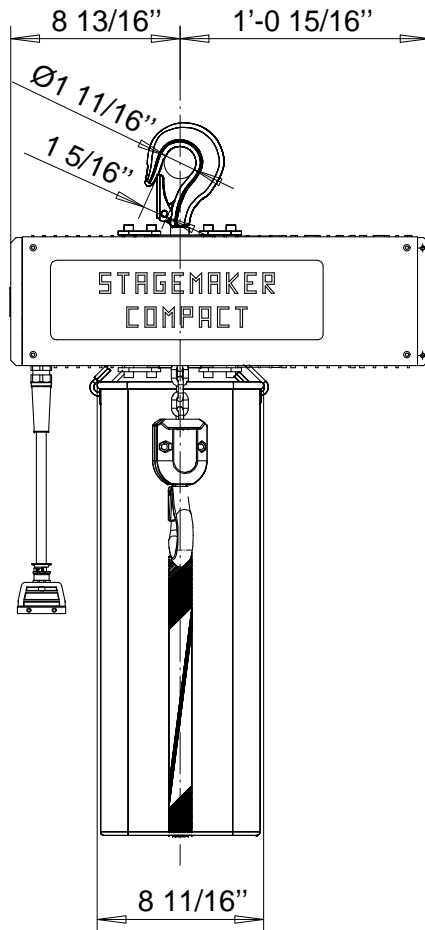


# STAGEMAKER<sup>®</sup> SM10

CONFIGURATION D - LOW VOLTAGE CONTROL & BGV-C1 ENHANCED SAFETY FEATURES



L	DATE	ECN	DESCRIPTION	
STG Design		Chd	Appd	1 : 9.5 Scale
				p_B11130-616 D File
Drn		STAGEMAKER SM10 CONFIGURATION D		
KHS / R&M Dept	2005-08-15 Date	R&M Materials Handling Inc.		
R&M MATERIALS HANDLING, INC.	4501 Gateway Blvd, Springfield			
HOIST & CRANE PRODUCTS	B11130-616 D 1-FALL			
SPRINGFIELD, OHIO	Rev. 2005			

Item	Qty	Description	Specification	Quality	Weight