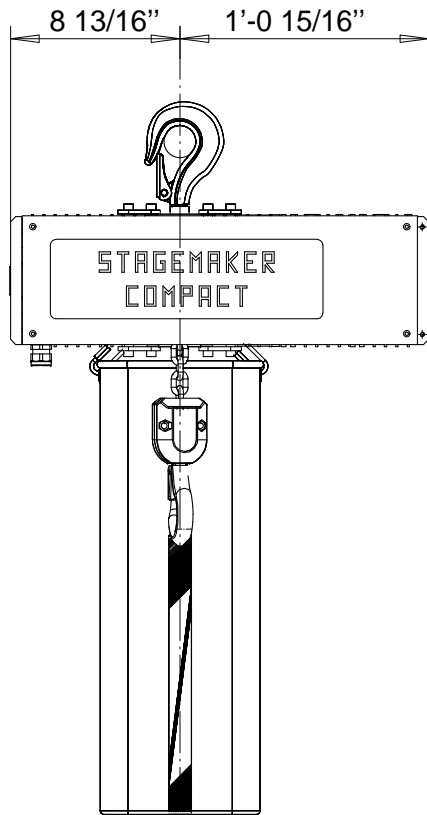
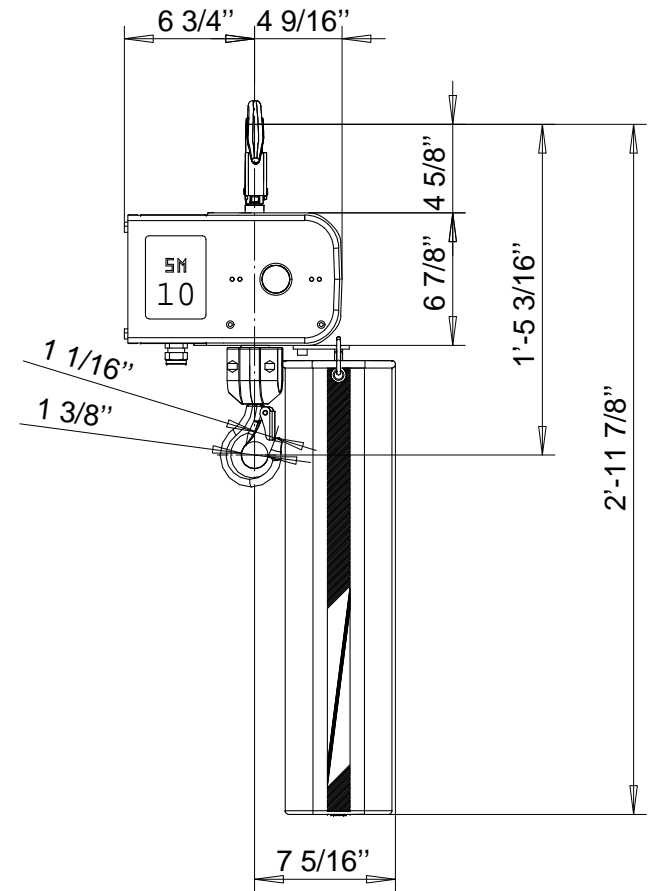
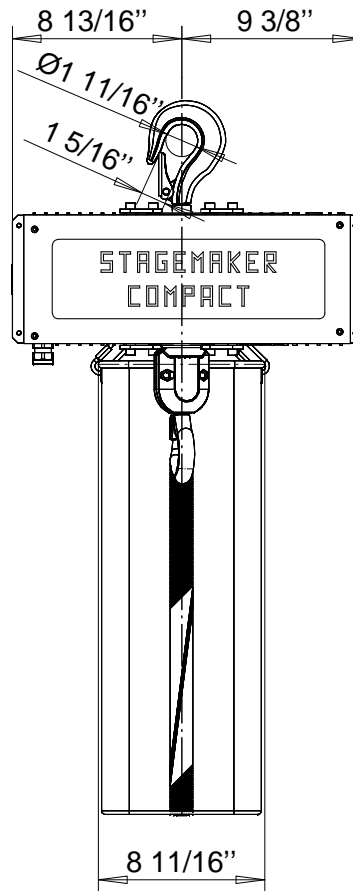


STAGEMAKER[®] SM10

CONFIGURATION E - WITHOUT CONTROLS



SECOND BRAKE OPTION



L	DATE	ECN	DESCRIPTION	
STG Design		Chd	1 : 9.5 Scale	p_B11130-616 E File
Drn			STAGEMAKER SM10 CONFIGURATION E	
KHS / R&M Dept	2005-08-15 Date		R&M Materials Handling Inc.	
R&M MATERIALS HANDLING, INC.			4501 Gateway Blvd, Springfield	
HOISTS & CRANE PRODUCTS			B11130-616 E 1-FALL	
SPRINGFIELD, OHIO				Rev. 2005

Item	Qty	Description	Specification	Quality	Weight