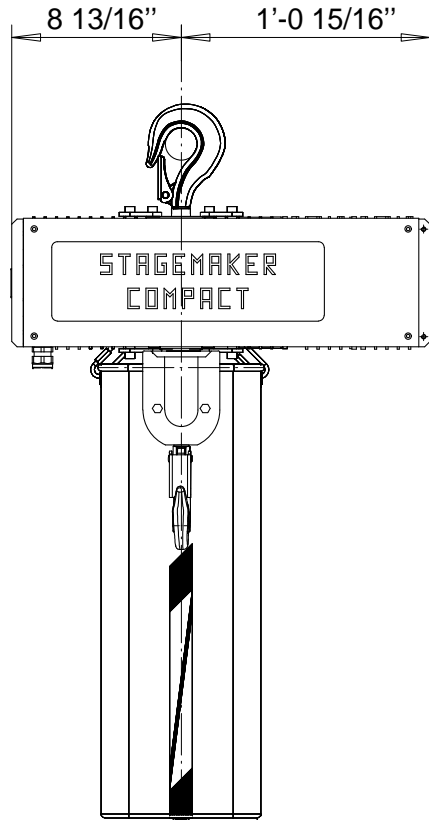
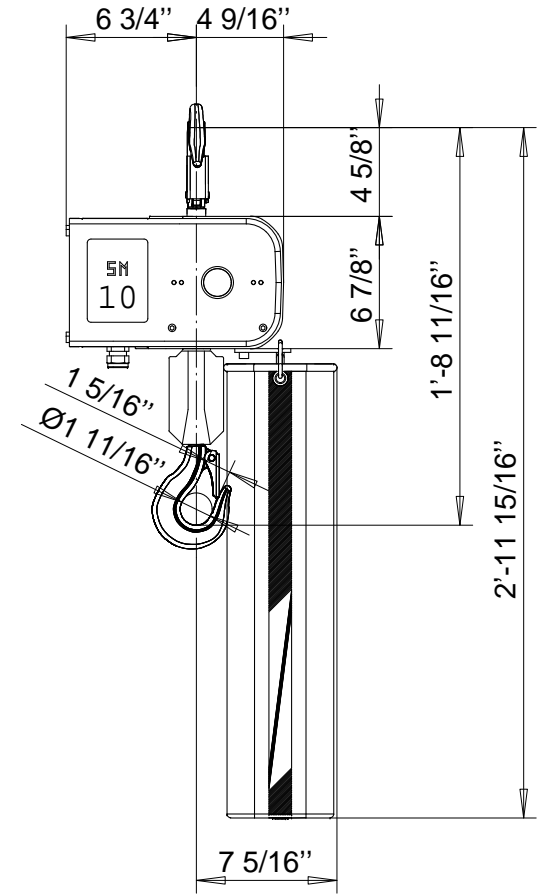
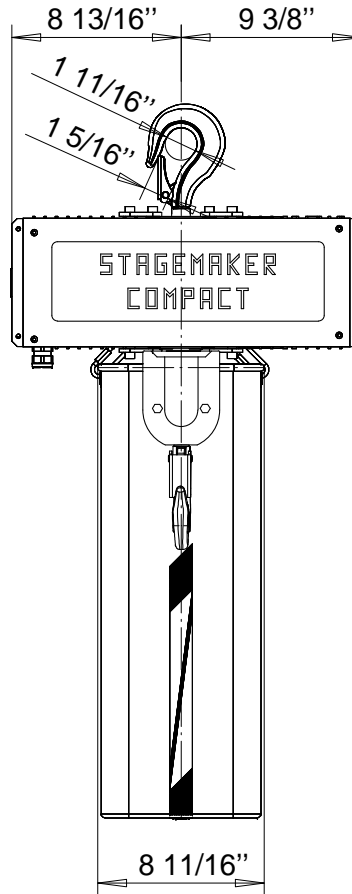


# STAGEMAKER<sup>®</sup> SM10

CONFIGURATION E - WITHOUT CONTROLS



SECOND BRAKE OPTION



L	DATE	ECN	DESCRIPTION	
STG Design		Chd	Appd	1 : 9.5 Scale
				p_B11130-617 E File
Drn		STAGEMAKER SM10 CONFIGURATION E		
KHS / R&M Dept	2005-08-15 Date	R&M Materials Handling Inc.		
R&M MATERIALS HANDLING, INC.		4501 Gateway Blvd, Springfield		
HOIST & CRANE PRODUCTS		B11130-617 E 2-FALL		
SPRINGFIELD, OHIO		Rev. 2005		

Item	Qty	Description	Specification	Quality	Weight