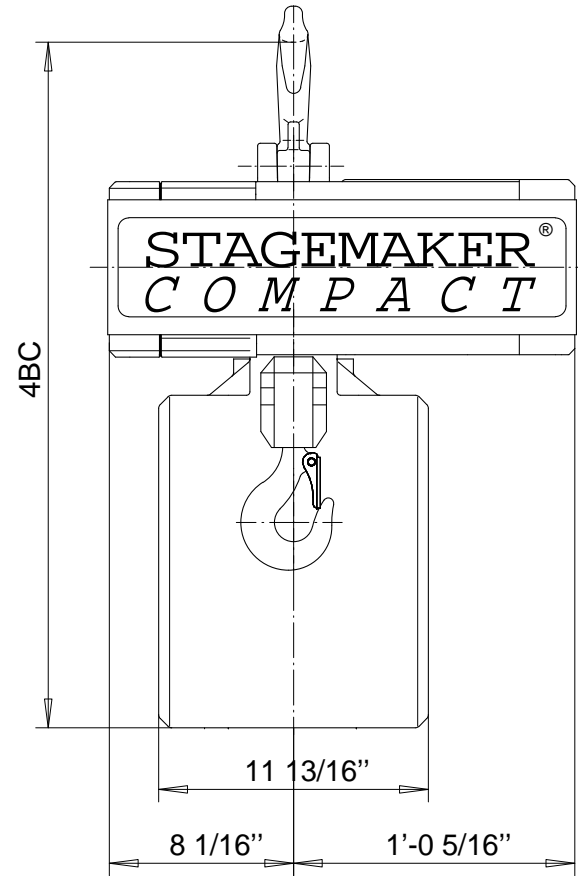
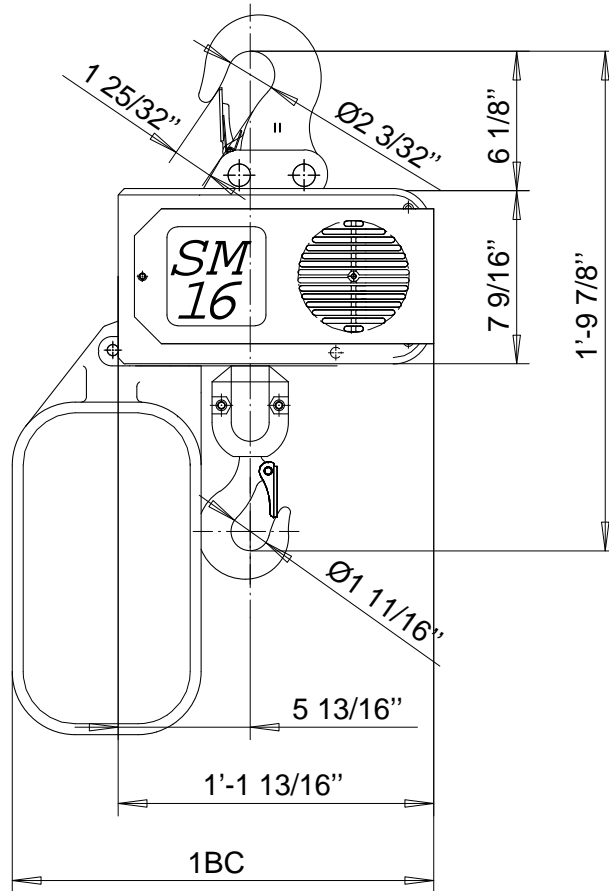


STAGEMAKER[®] SM16

CONFIGURATION B - LOW VOLTAGE CONTROL



LIFT	1BC	4BC
≤ 50 FT	18 7/16"	30 7/16"
≤ 150 F	25 3/16"	36 1/8"

L	DATE	ECN	DESCRIPTION	
STG Design		Chd	1 : 8 Scale	p_B11440-502 B File
Drn			STAGEMAKER SM16 CONFIGURATION B	
KHS / R&M Dept	2005-08-15 Date		R&M Materials Handling Inc.	
R&M MATERIALS HANDLING, INC.			4501 Gateway Blvd, Springfield	
HOIST & CRANE PRODUCTS			B11440-502 B	
SPRINGFIELD, OHIO				Rev. 2005

Item	Qty	Description	Specification	Quality	Weight