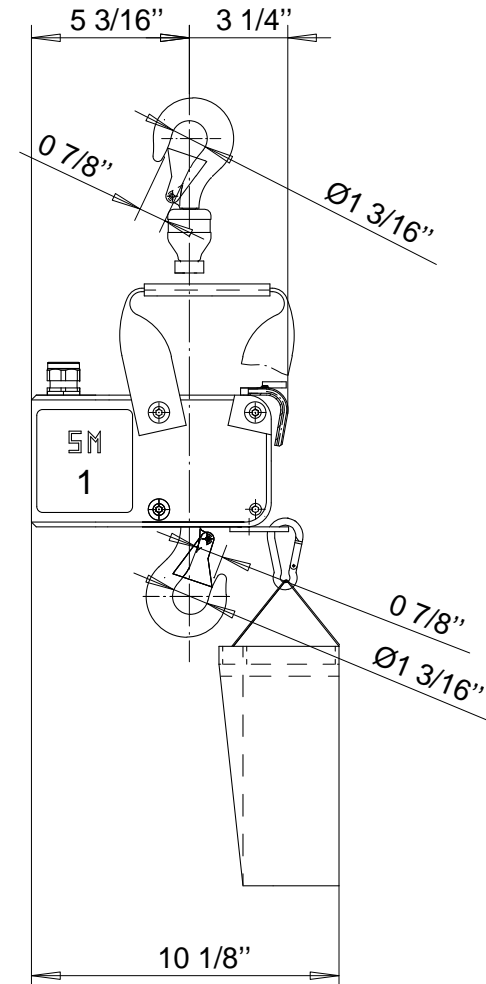
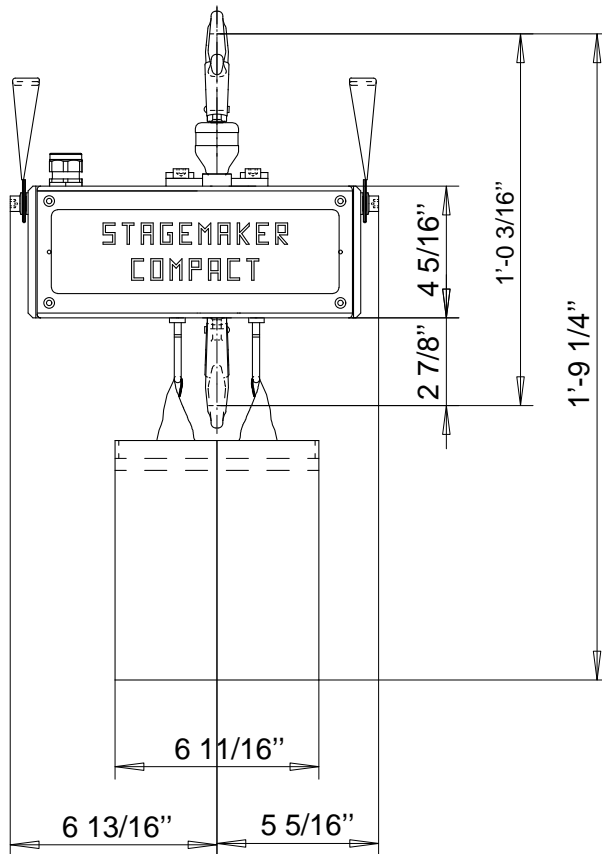


STAGEMAKER[®] SM1

CONFIGURATION A - DIRECT MOTOR CONTROL



Item	Qty	Description	Specification	Quality	Weight
------	-----	-------------	---------------	---------	--------

L	DATE	ECN	DESCRIPTION	
STG Design		Chd	Appd	1 : 7 Scale
				p_B11130-500 A File
Drn		STAGEMAKER SM1 CONFIGURATION A		
KHS / R&M Dept	2005-08-15 Date	R&M Materials Handling Inc.		
		4501 Gateway Blvd, Springfield		
R&M MATERIALS HANDLING, INC.	HOIST & CRANE PRODUCTS	B11130-500 A		
	SPRINGFIELD, OHIO			Rev. 2005