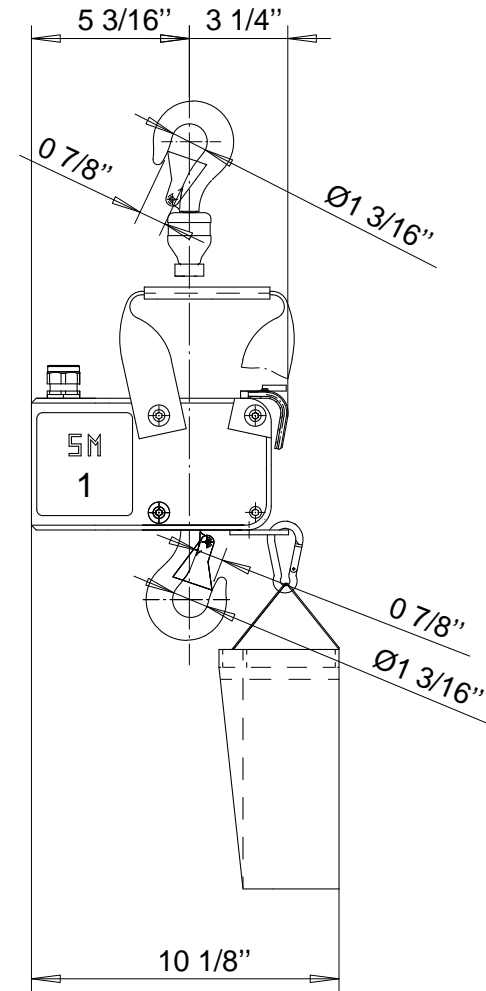
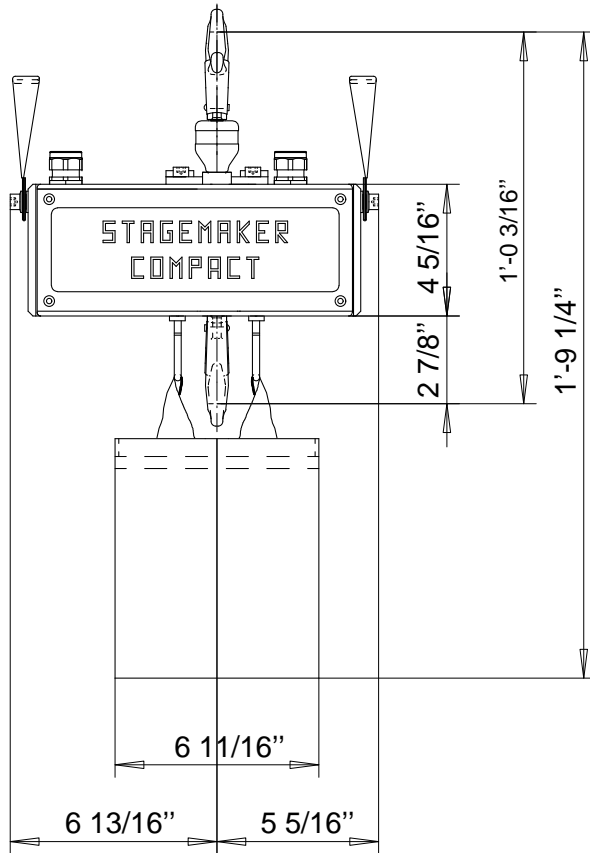


STAGEMAKER[®] SM1

CONFIGURATION B - LOW VOLTAGE CONTROL



Item	Qty	Description	Specification	Quality	Weight
------	-----	-------------	---------------	---------	--------

L	DATE	ECN	DESCRIPTION	
STG Design		Chd	Appd	1 : 7 Scale p_B11130-500 B File
Drn		STAGEMAKER SM1 CONFIGURATION B		
KHS / R&M Dept	2005-08-15 Date	R&M Materials Handling Inc.		
R&M	RAM MATERIALS HANDLING, INC. HOIST & CRANE PRODUCTS SPRINGFIELD, OHIO			M-film
4501 Gateway Blvd, Springfield				Rev. 2005
B11130-500 B				