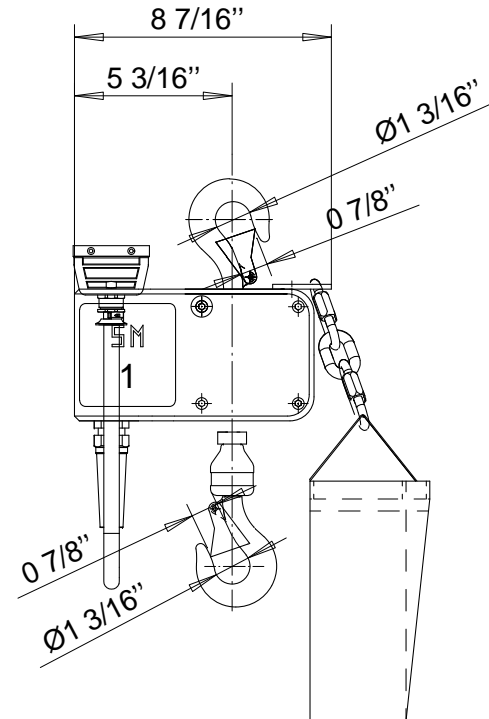
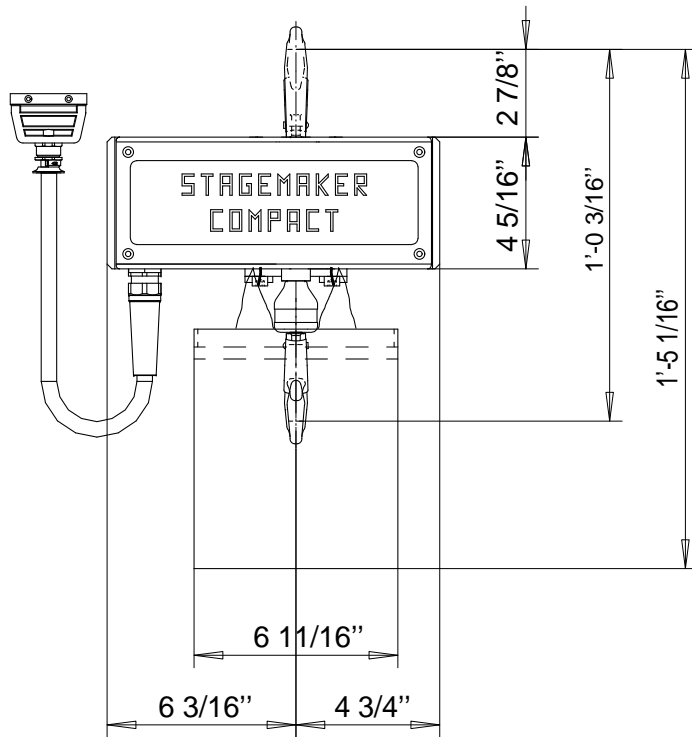


STAGEMAKER[®] SM1

CONFIGURATION C - LOW VOLTAGE CONTROL & PROGRAMMABLE CONTROLLER



Item	Qty	Description	Specification	Quality	Weight
------	-----	-------------	---------------	---------	--------

L	DATE	ECN	DESCRIPTION	
STG Design		Chd	1 : 6 Scale	p_B11130-500 C File
Drn			STAGEMAKER SM1 CONFIGURATION C	
KHS / R&M Dept	2005-08-15 Date		R&M Materials Handling Inc.	
R&M MATERIALS HANDLING, INC.			4501 Gateway Blvd, Springfield	
HOIST & CRANE PRODUCTS			B11130-500 C	
SPRINGFIELD, OHIO				Rev. 2005