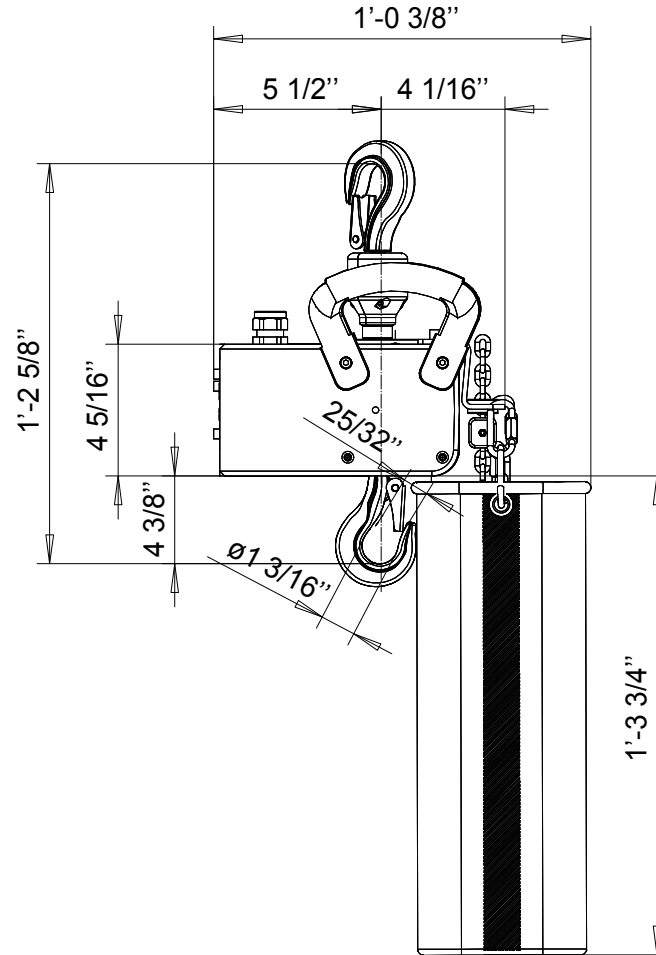
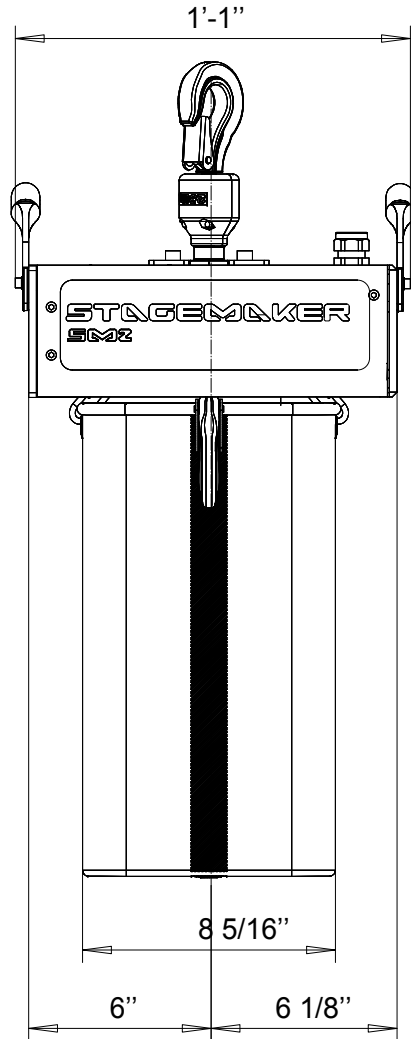


# STAGEMAKER<sup>®</sup> SM2

CONFIGURATION B - LOW VOLTAGE CONTROL



L	DATE	ECN	DESCRIPTION	
STG Design		Chd	1 : 6 Scale	B11510-620 B.vxp File
Drn			STAGEMAKER SM2 CONFIGURATION B	
RHS / R&M Dept	2009-28-03 Date		R&M Materials Handling Inc.	
R&M	RAM MATERIALS HANDLING, INC		4501 Gateway Blvd, Springfield	
	HOIST & CRANE PRODUCTS		B11510-620 B	
	SPRINGFIELD, OHIO			Rev. 2009

Item	Qty	Description	Specification	Quality	Weight