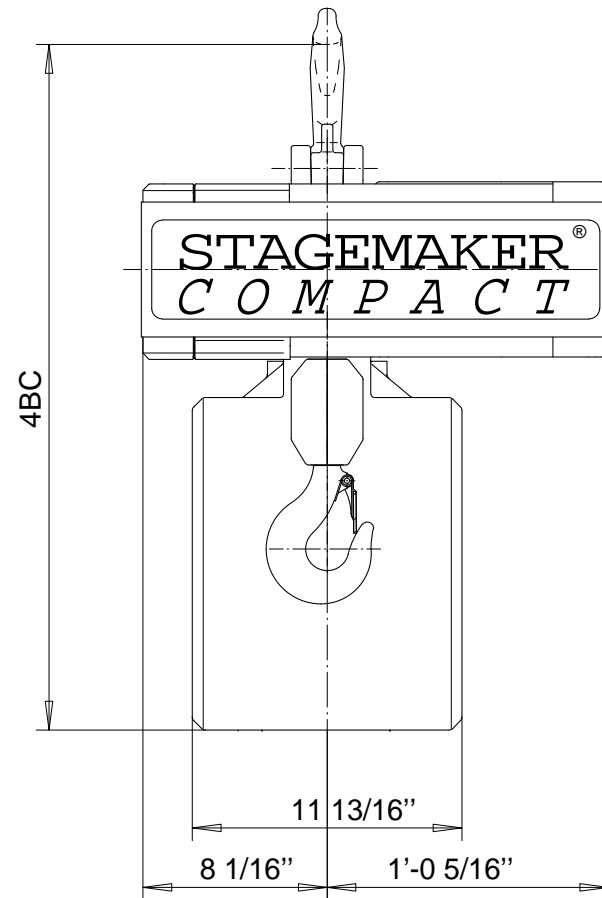
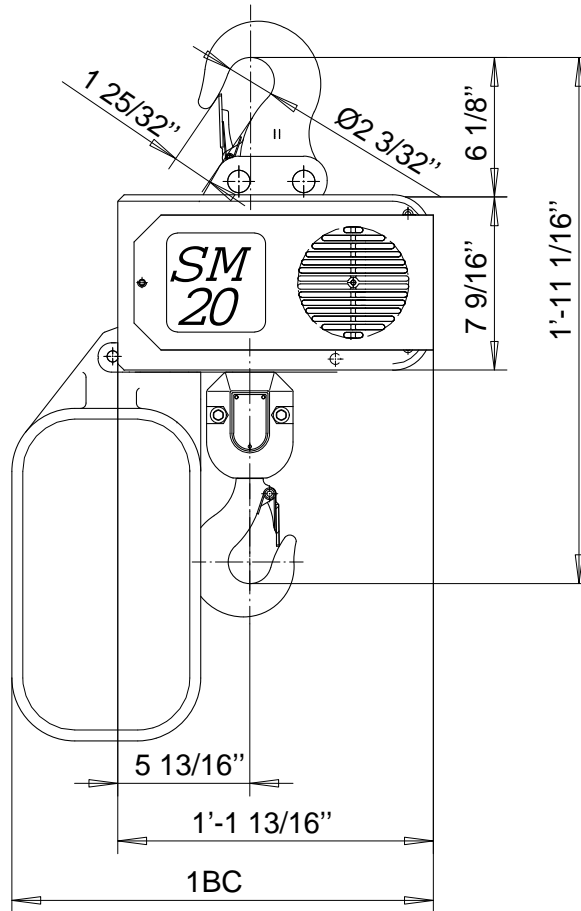


STAGEMAKER[®] SM20

CONFIGURATION B - LOW VOLTAGE CONTROL



LIFT	1BC	4BC
≤ 50 FT	18 7/16"	30 7/16"
≤ 100 FT	25 3/16"	36 1/8"
≤ 150 FT	27 15/16"	44 11/16"

L	DATE	ECN	DESCRIPTION	
STG Design		Chd	1 : 8 Scale	B11440-503 B File
Drn			STAGEMAKER SM20 CONFIGURATION B	
KHS / R&M Dept	2005-08-15 Date		R&M Materials Handling Inc.	
R&M MATERIALS HANDLING, INC.	HOIST & CRANE PRODUCTS		4501 Gateway Blvd, Springfield	
	SPRINGFIELD, OHIO		B11440-503 B	
				Rev. 2005

Item	Qty	Description	Specification	Quality	Weight