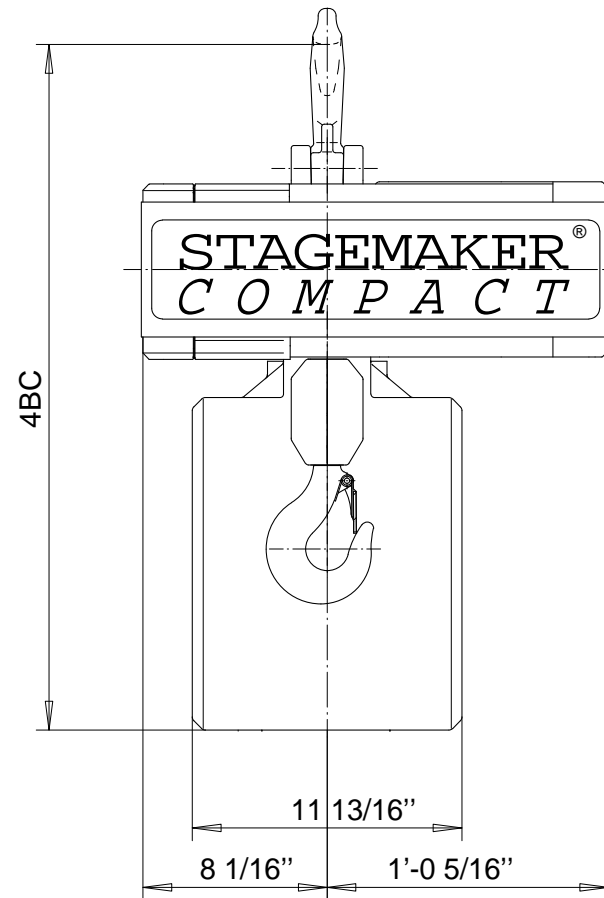
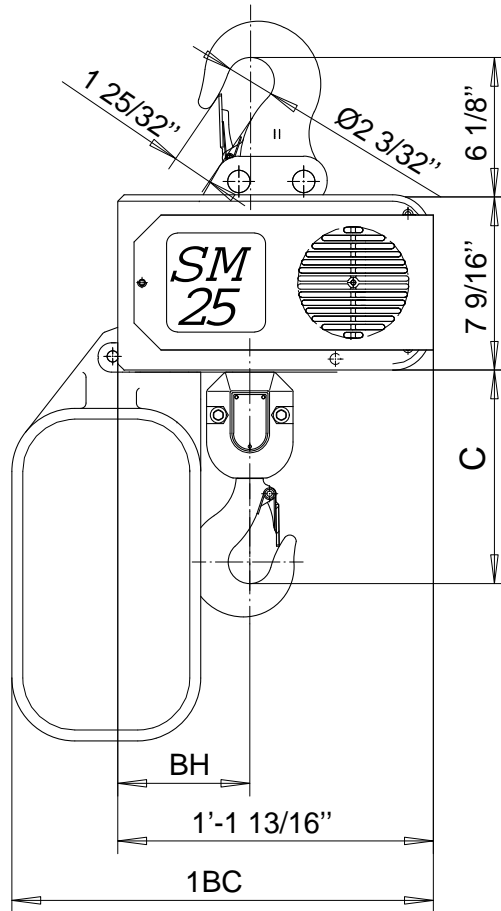


STAGEMAKER[®] SM25

CONFIGURATION B - LOW VOLTAGE CONTROL



LIFT	1BC	4BC	1-FALL C	1-FALL BH	2-FALL C	2-FALL BH
≤50 FT	18 7/16"	30 7/16"	9 3/8"	5 13/16"	13 11/16"	7 3/4"
≤100 FT	25 3/16"	36 1/8"	9 3/8"	5 13/16"	13 11/16"	7 3/4"
≤150 FT	27 15/16"	44 11/16"	9 3/8"	5 13/16"	13 11/16"	7 3/4"

Item	Qty	Description	Specification	Quality	Weight
------	-----	-------------	---------------	---------	--------

L	DATE	ECN	DESCRIPTION	
STG Design		Chd	Appd	1 : 8 Scale B11440-504 B File
Drn		STAGEMAKER SM25 CONFIGURATION B		
KHS / R&M Dept	2005-08-15 Date	R&M Materials Handling Inc.		
R&M MATERIALS HANDLING, INC.	4501 Gateway Blvd, Springfield			
HOIST & CRANE PRODUCTS SPRINGFIELD, OHIO	B11440-504 B			Rev. 2005