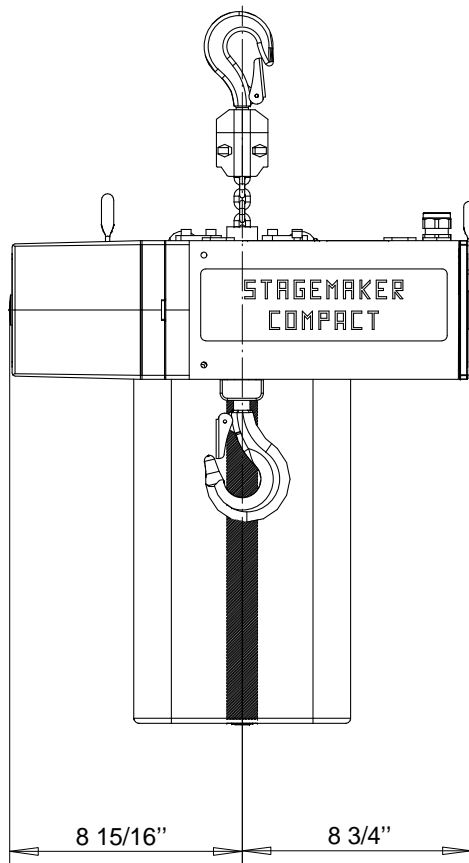
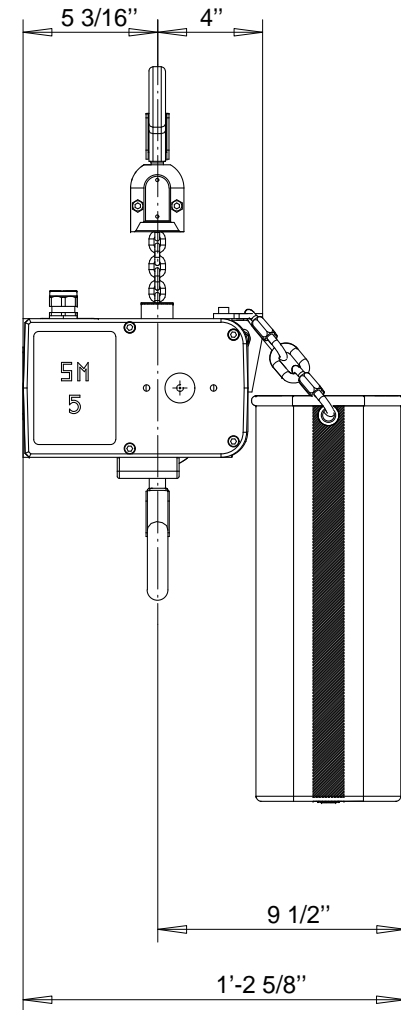
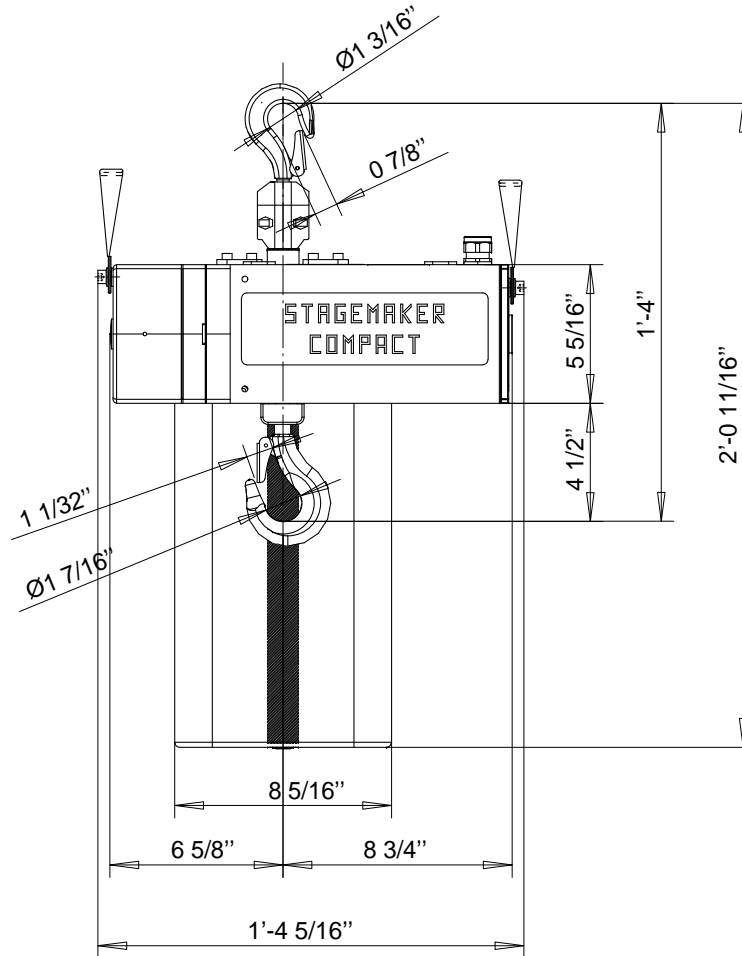


# STAGEMAKER<sup>®</sup> SM5

CONFIGURATION A - DIRECT MOTOR CONTROL



SECOND BRAKE OPTION



L	DATE	ECN	DESCRIPTION	
STG Design		Chd	Appd	1 : 7 Scale p_B11120-620 A File
Drn		STAGEMAKER SM5 CONFIGURATION A		
KHS / R&M Dept	2005-08-15 Date	R&M Materials Handling Inc. M-film		
R&M	R&M MATERIALS HANDLING, INC. HOIST & CRANE PRODUCTS SPRINGFIELD, OHIO	4501 Gateway Blvd, Springfield		
		B11120-620 A Rev. 2005		

Item	Qty	Description	Specification	Quality	Weight