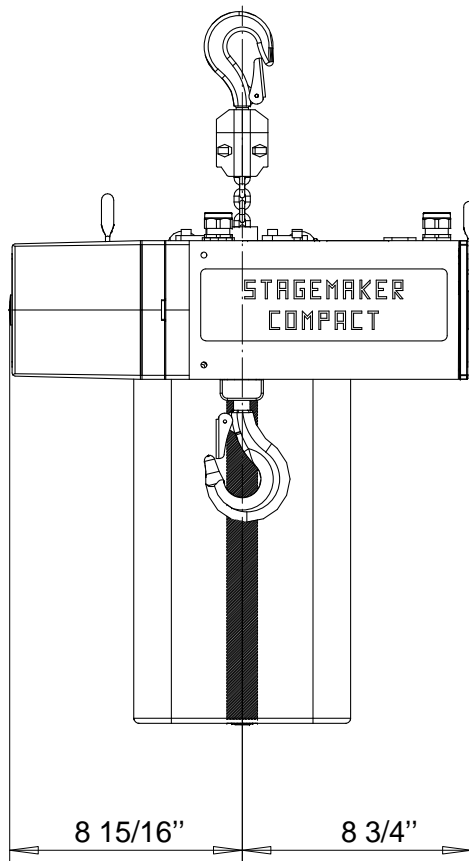
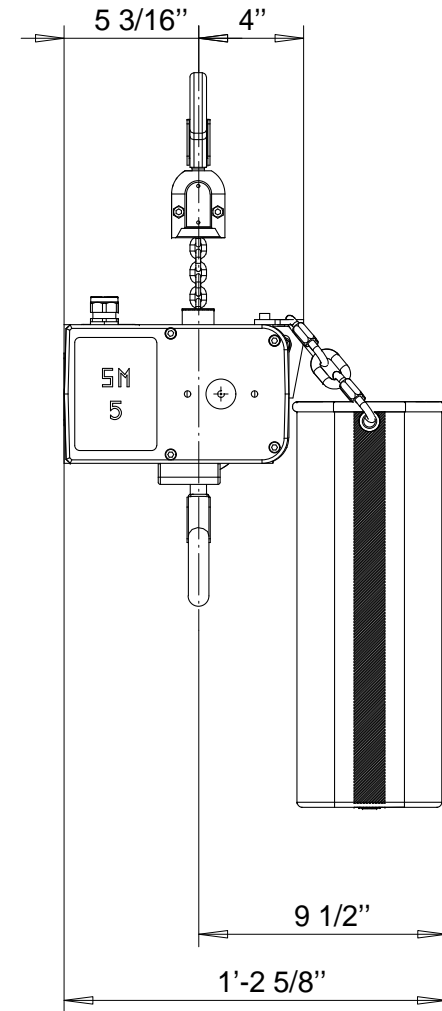
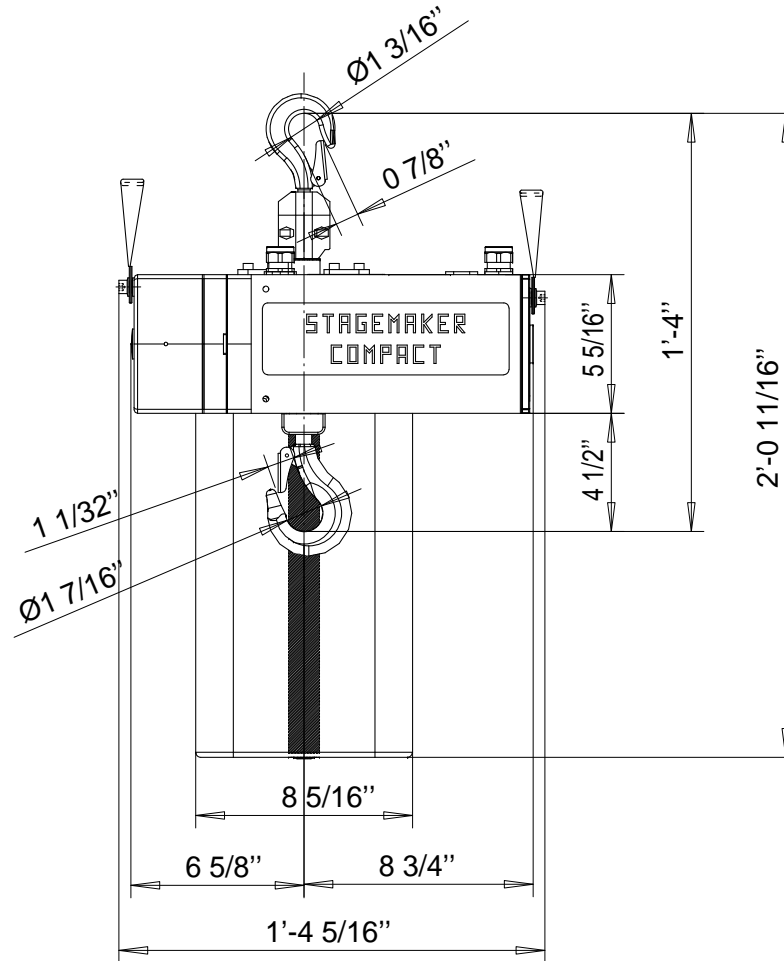


STAGEMAKER[®] SM5

CONFIGURATION B - LOW VOLTAGE CONTROL



SECOND BRAKE OPTION



L	DATE	ECN	DESCRIPTION	
STG Design		Chd	1 : 7 Scale	p_B11120-620 B File
Drn			STAGEMAKER SM5 CONFIGURATION B	
KHS / R&M Dept	2005-08-15 Date		R&M Materials Handling Inc. M-film	
R&M	R&M MATERIALS HANDLING, INC. HOIST & CRANE PRODUCTS SPRINGFIELD, OHIO		4501 Gateway Blvd, Springfield	
			B11120-620 B	
				Rev. 2005

Item	Qty	Description	Specification	Quality	Weight