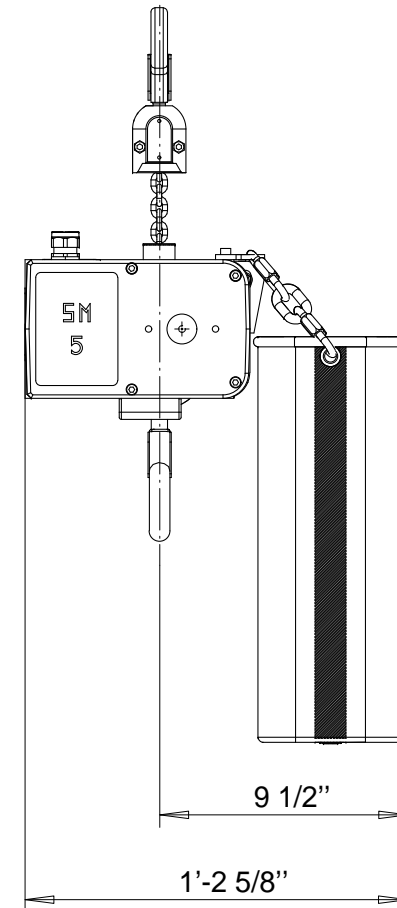
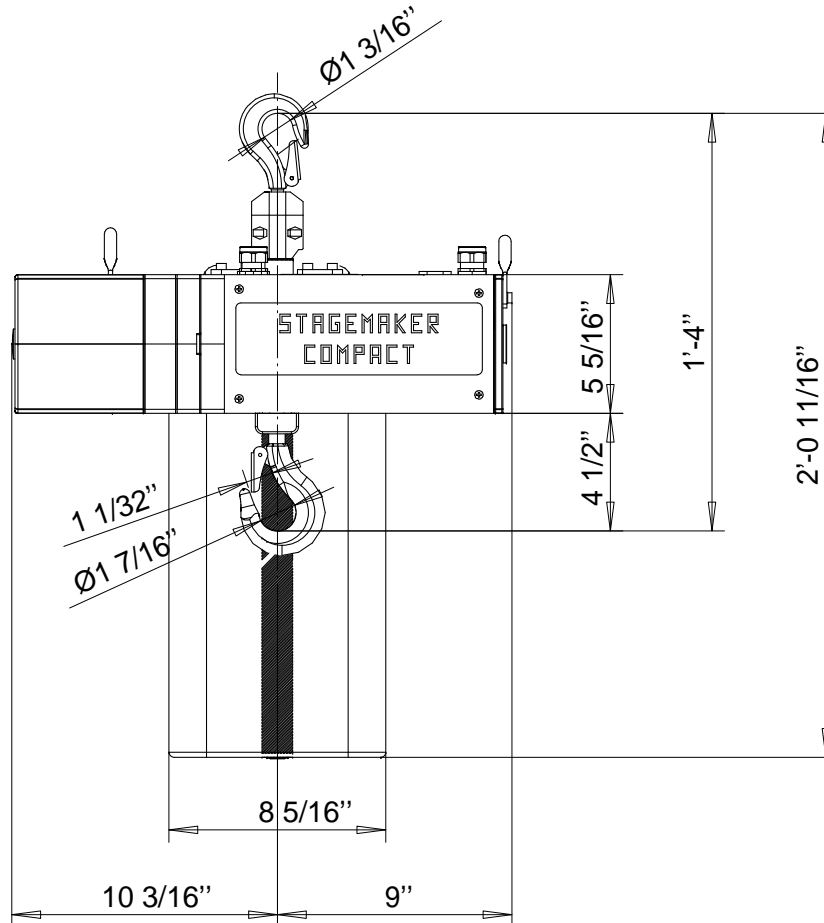


STAGEMAKER[®] SM5

CONFIGURATION S - SINGLE-PHASE CONTROL



L	DATE	ECN	DESCRIPTION	
STG Design		Chd	Appd	1 : 7 Scale
				p_B11120-620 S File
Drn		STAGEMAKER SM5 CONFIGURATION S		
KHS / R&M Dept	2005-08-15 Date	R&M Materials Handling Inc.		
R&M	R&M MATERIALS HANDLING, INC. HOIST & CRANE PRODUCTS SPRINGFIELD, OHIO	4501 Gateway Blvd, Springfield		
		B11120-620 S		
				Rev. 2005

Item	Qty	Description	Specification	Quality	Weight