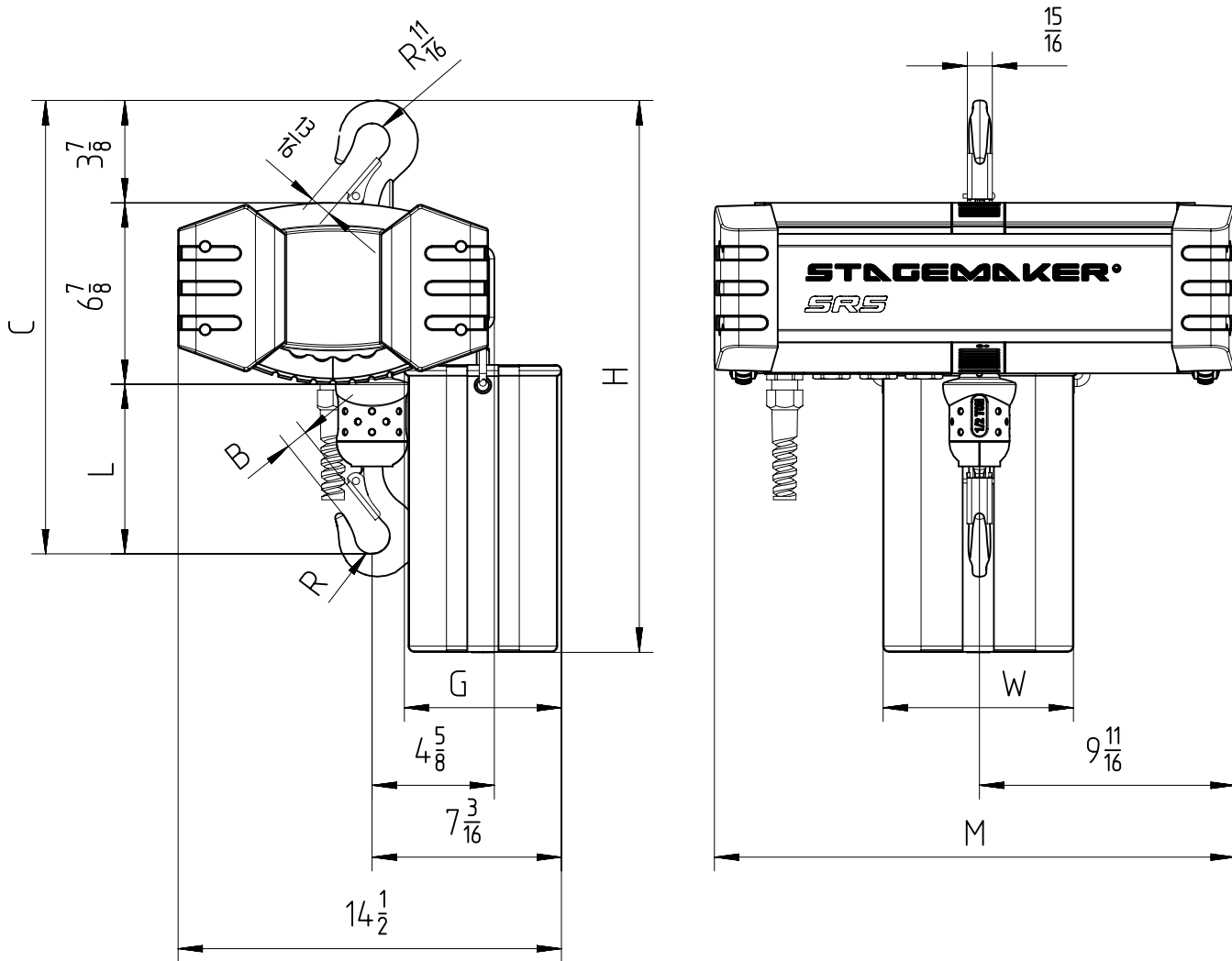


## Hook suspended - Body up position



Chain Size (mm)	Max load (Ton)	Falls	Chain bag capacity (ft)	Dimensions (inch)										Weight of chain (lb/ft)	Estimated weight of hoist w/o chain (lb)			
				B	C	L	R	H	G	W	M				SB	GLS	DB	1Ph*
											SB	GLS/DB	1Ph*					
5X14	1/2	1	65	13/16	17 1/8	6 7/8	11/16	20 13/16	5 9/16	7 3/16	18 9/16	19 3/4	20	0.38	66	75	71	71
			131					25 3/4	5 15/16	8 11/16								

SB: Single Brake  
DB: Double Brake

\*Single Phase hoist configuration S