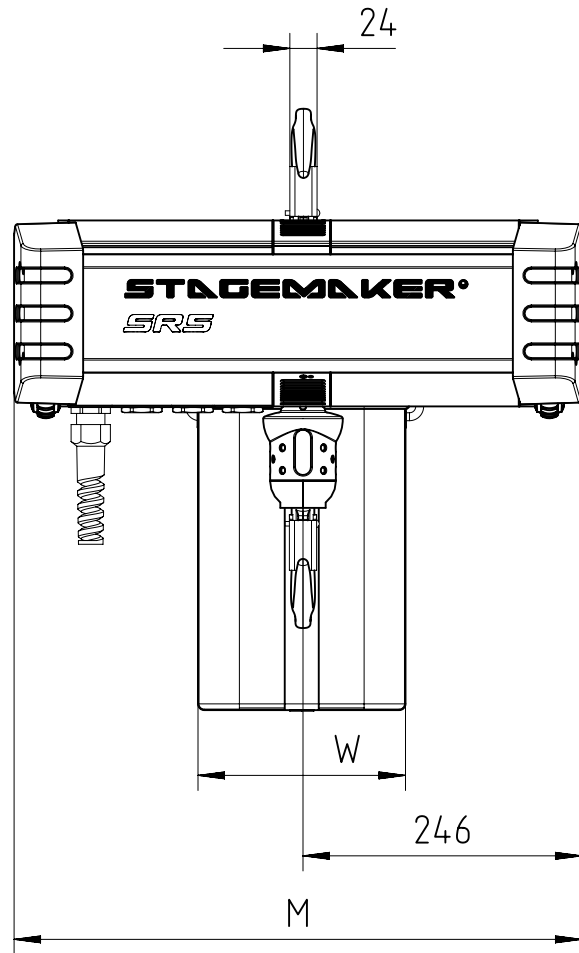
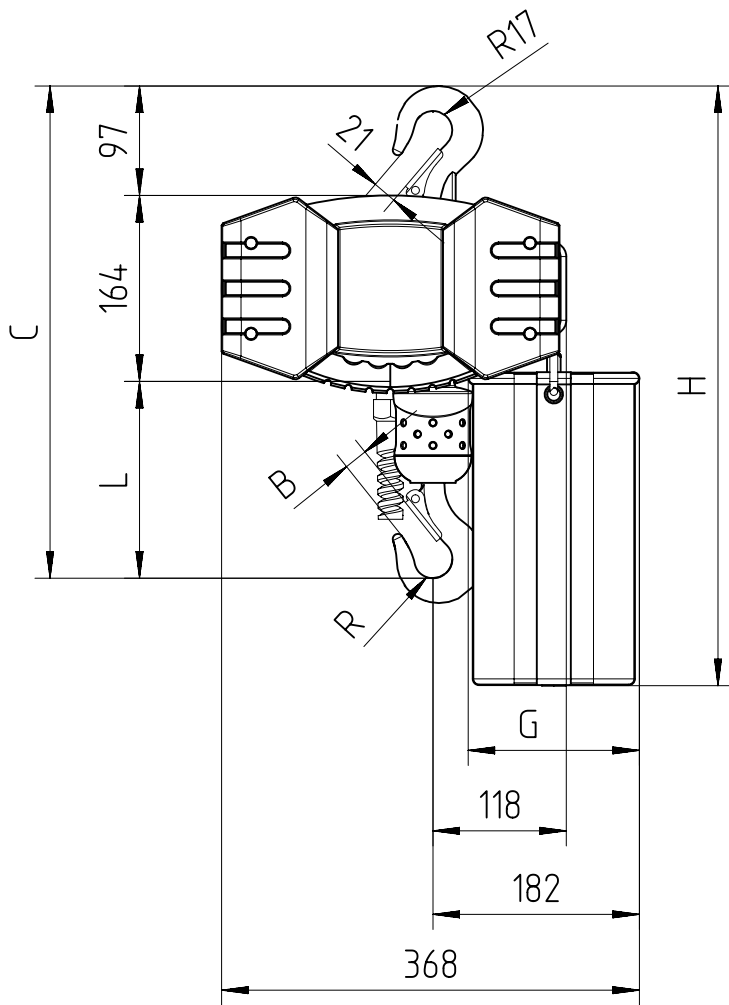


Hook suspended - Body up position



Chain Size (mm)	Max load (kg)	Falls	Chain bag capacity (m)	Dimensions (mm)									Weight of chain (kg/m)	Estimated weight of hoist w/o chain (Kg)				
				B	C	L	R	H	G	W	M			SB	GLS	DB	1Ph*	
											SB	GLS/DB						1Ph*
5X14	500	1	20	21	435	174	17	529	142	182	471	501	508	0.57	30	34	32	32
			40					654										

SB: Single Brake
DB: Double Brake

*Single Phase hoist configuration S