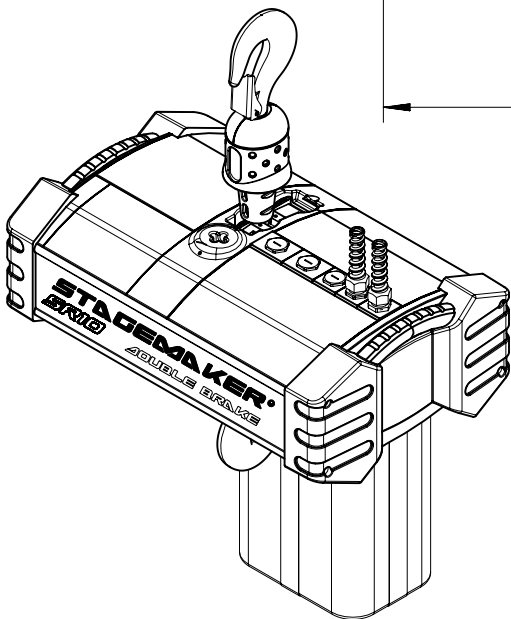
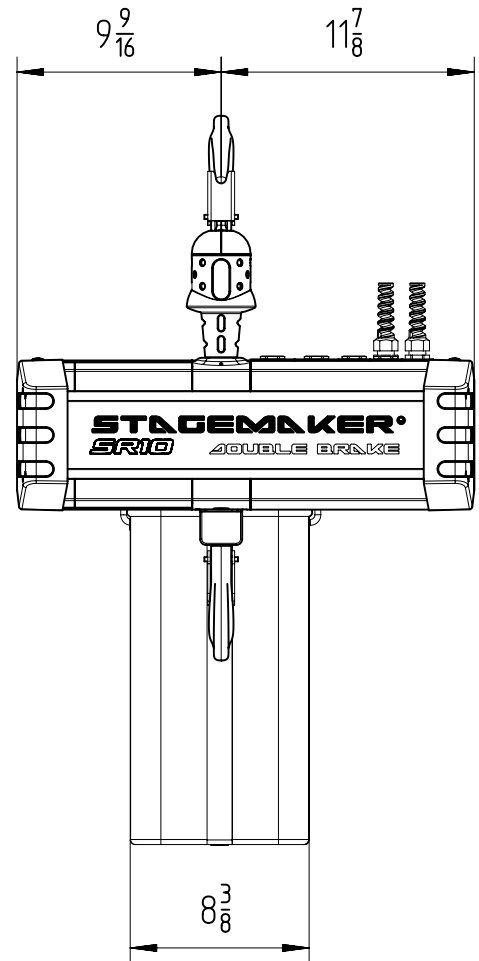
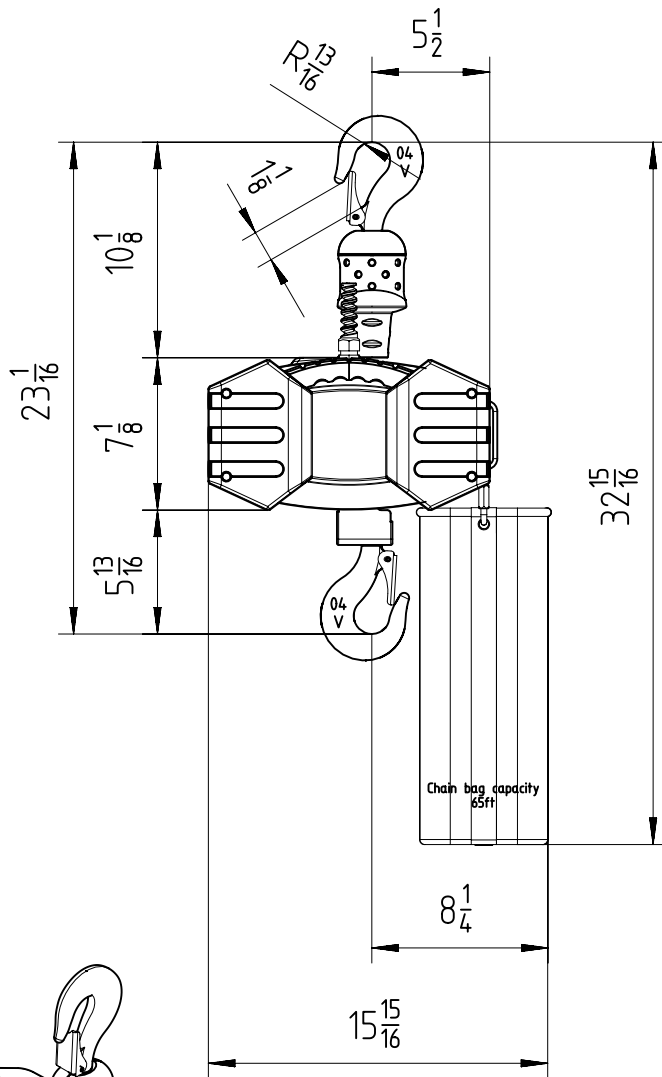


Body down - Config A&B - Double brake (climbing hoist configuration)



Up to 1 Ton

For HoL up to 164 ft, add 8 in. to dimension 32<sup>15</sup>/<sub>16</sub>

	Without chain	Weight per feet	With 65ft of chain
Weight	102 lb	0.74 lb/ft	150 lb