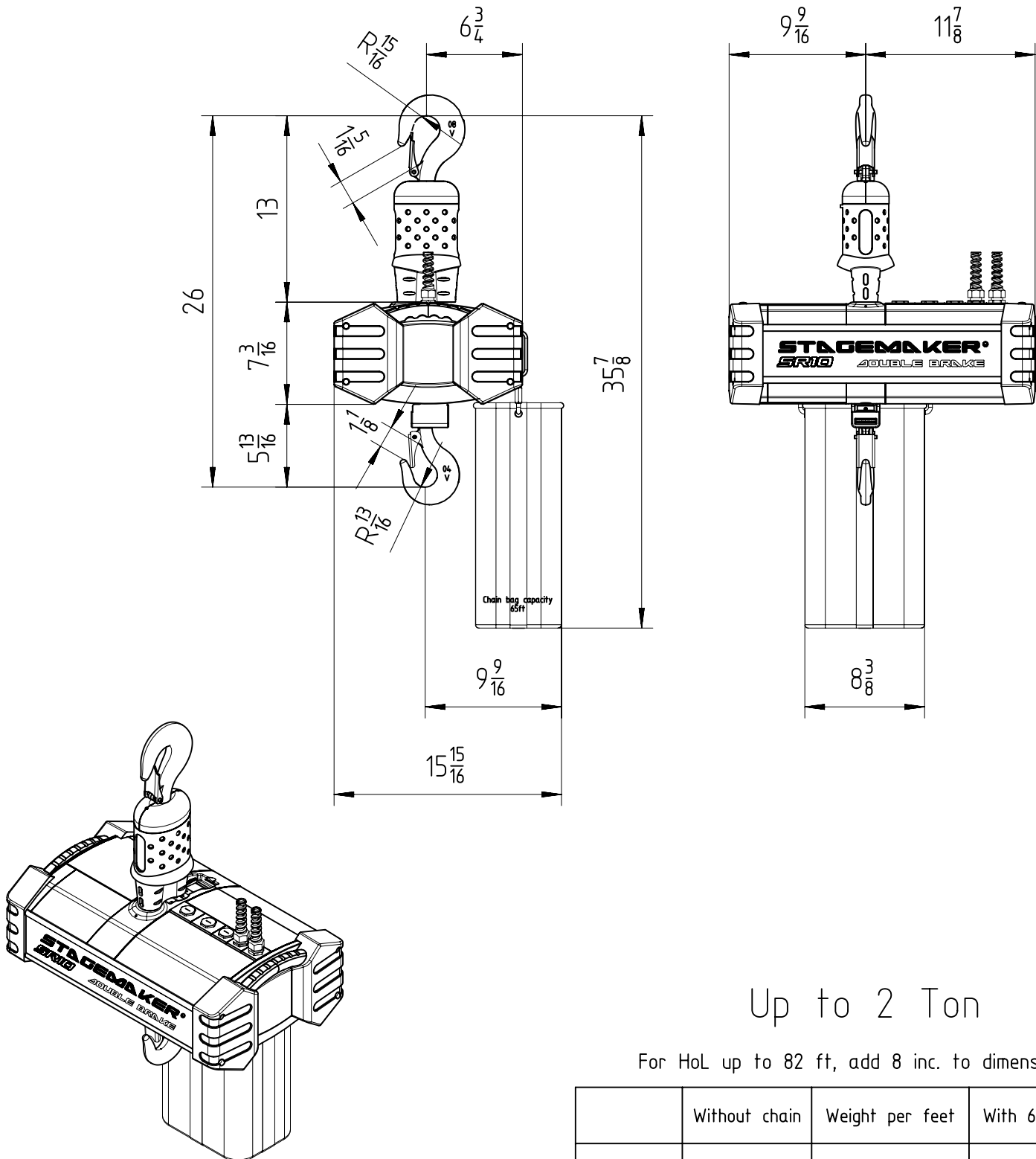


Body down - Config A&B - Double brake (climbing hoist configuration)



Up to 2 Ton

For HoL up to 82 ft, add 8 inc. to dimension $35\frac{7}{8}$

	Without chain	Weight per feet	With 65ft of chain
Weight	109 lb	0.74 lb/ft	154 lb