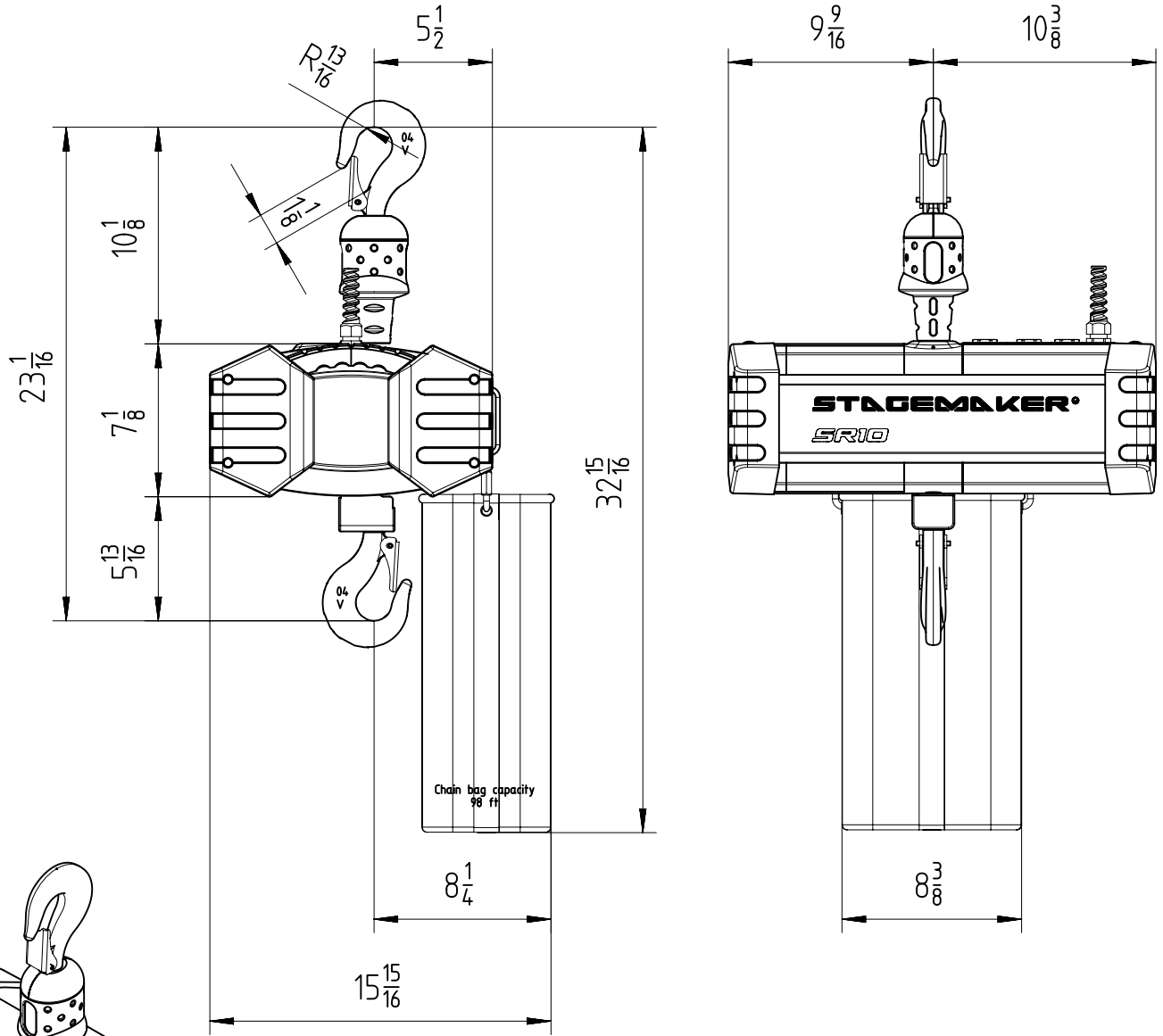


Body down - Config A&B (climbing hoist configuration)



Up to 1 Ton

For HoL up to 164 ft, add 8 in. to dimension 32¹⁵/₁₆

	Without chain	Weight per feet	With 65ft of chain
Weight	98 lb	0.74 lb/ft	146 lb