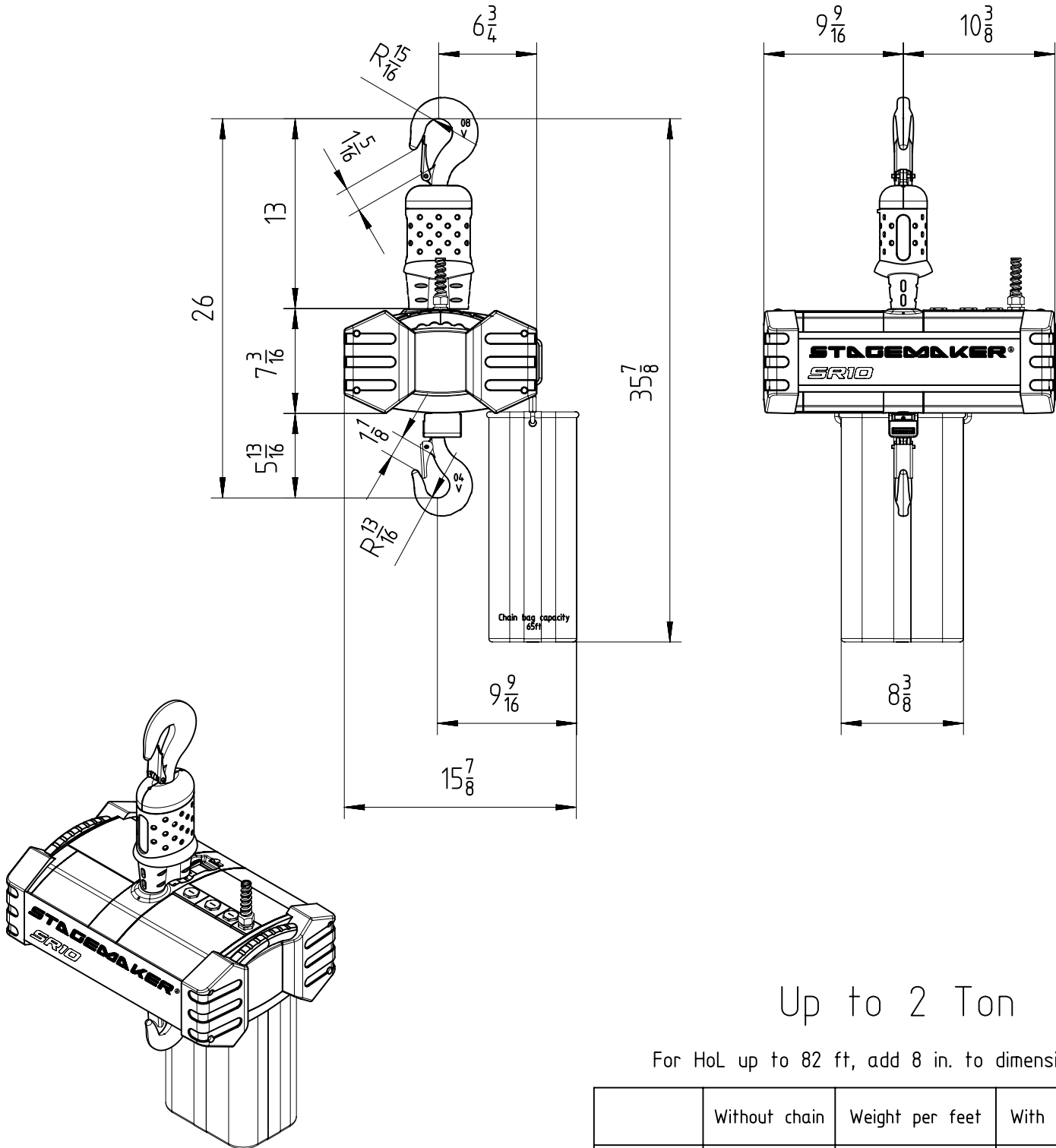


Body down - Config A&B (climbing hoist configuration)



Up to 2 Ton

For HoL up to 82 ft, add 8 in. to dimension 35⁷/₈

	Without chain	Weight per feet	With 65ft of chain
Weight	105 lb	0.74 lb/ft	150 lb