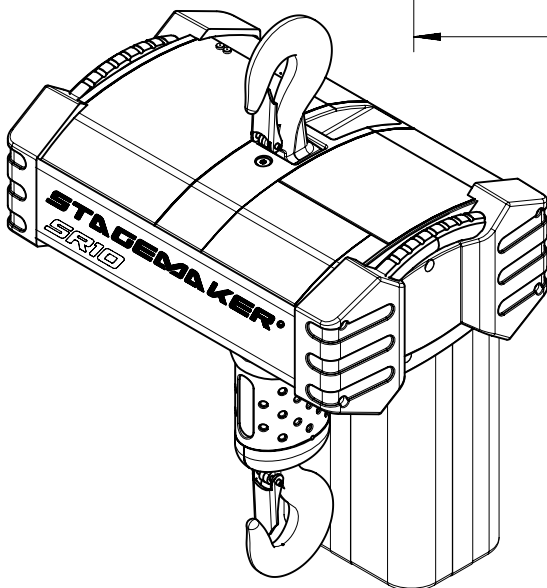
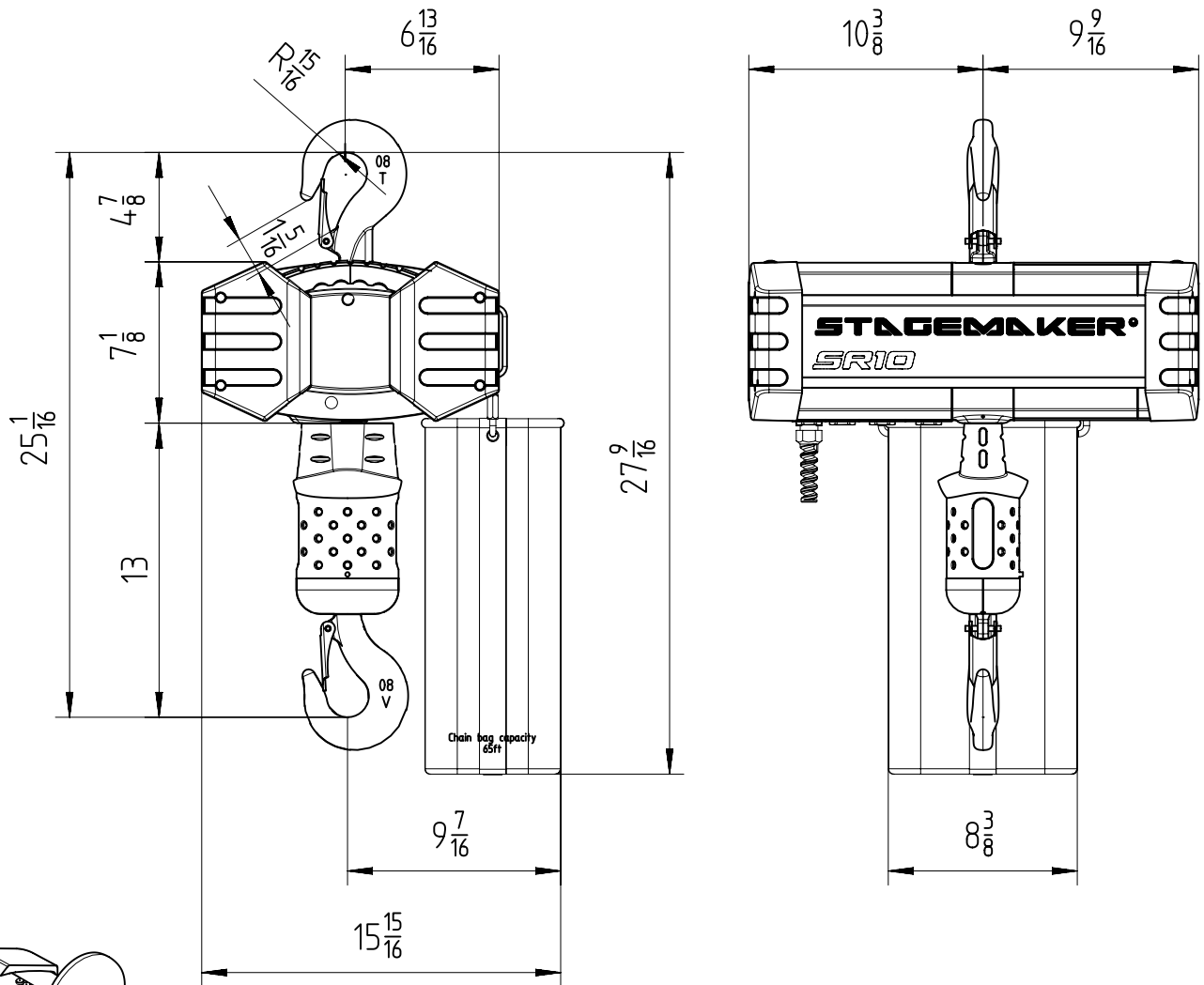


Body up - Config A&B (standard hoist configuration)



Up to 2 Ton

For HoL up to 82 ft, add 8 inc. to dimension  $27\frac{9}{16}$

	Without chain	Weight per feet	With 65ft of chain
Weight	105 lb	0.74 lb/ft	150 lb