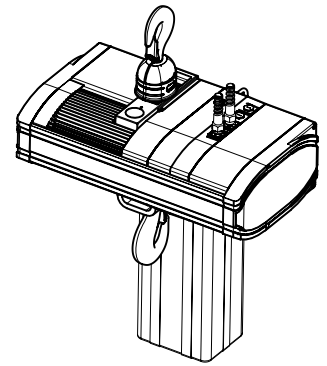
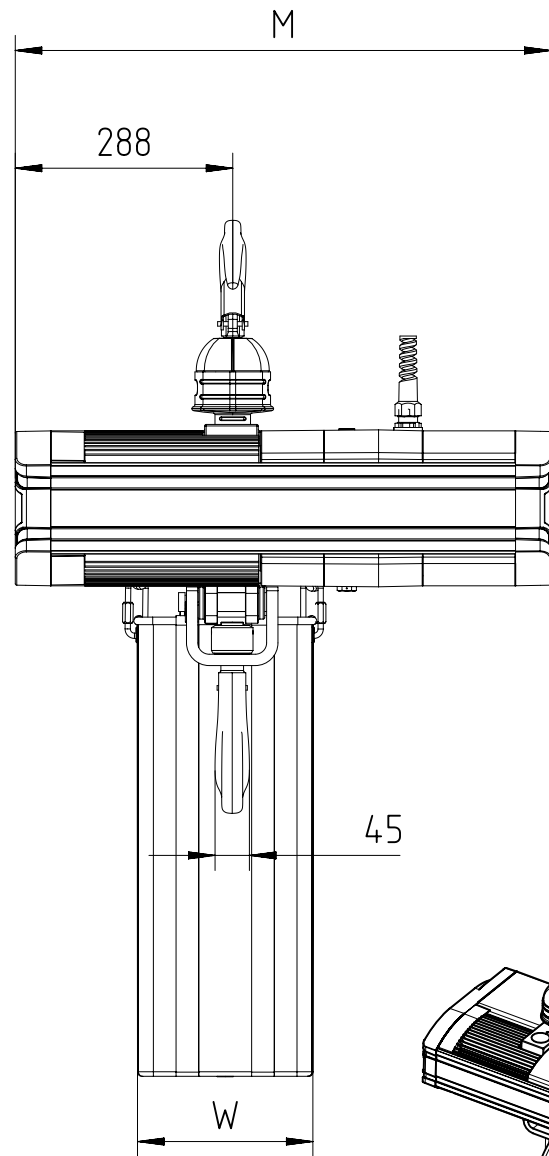
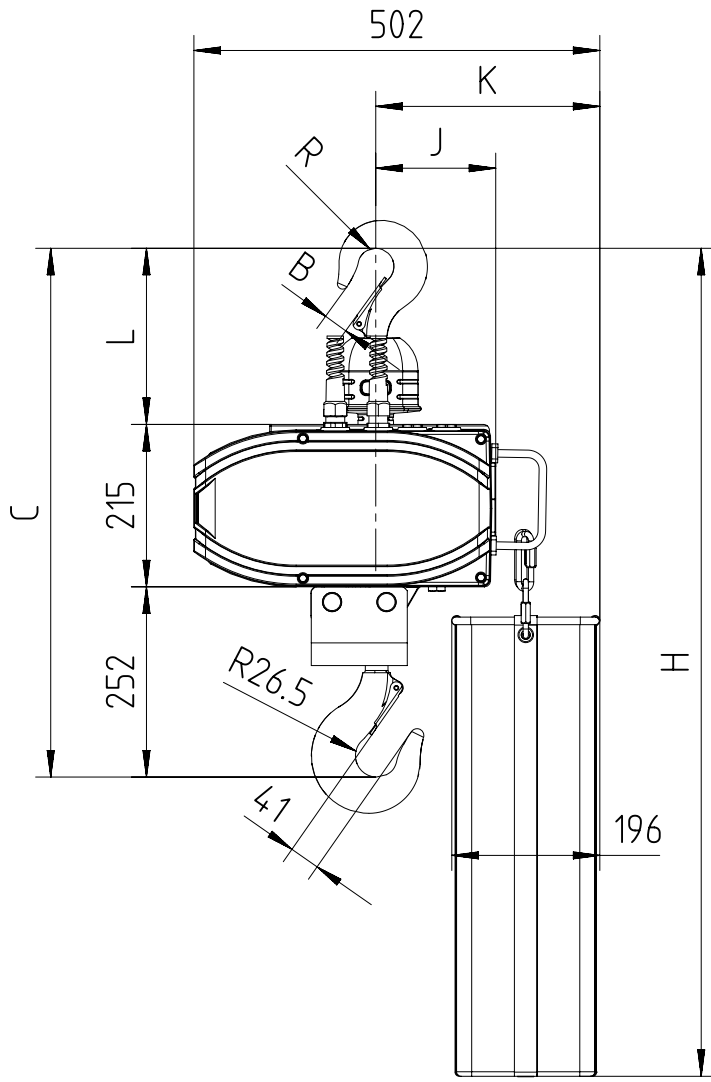


## Body down (Climbing hoist configuration)



Chain Size (mm)	Max load (kg)	Falls	Chain bag capacity (m)	Dimensions (mm)										Weight of chain (kg/m)	Estimated weight of hoist w/o chain (Kg)		
				B	C	L	R	J	K	H	W	M			SB	GLS	DB
												SB/GLS	DB				
11.3X31	2500	1	20	33	705	238	24	159	262	1084	232	587	709	2.85	120	125	126
			50							1454	410						
	5000	2	20 (*)	41	855	388	28	208	311	1084	232						
			50 (*)							1454	410						

SB: Single Brake  
DB: Double Brake

(\*) In case of 2-fall hoist, available lifting height is half of the chain bag maximum capacity