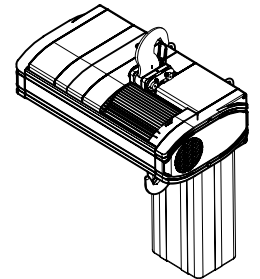
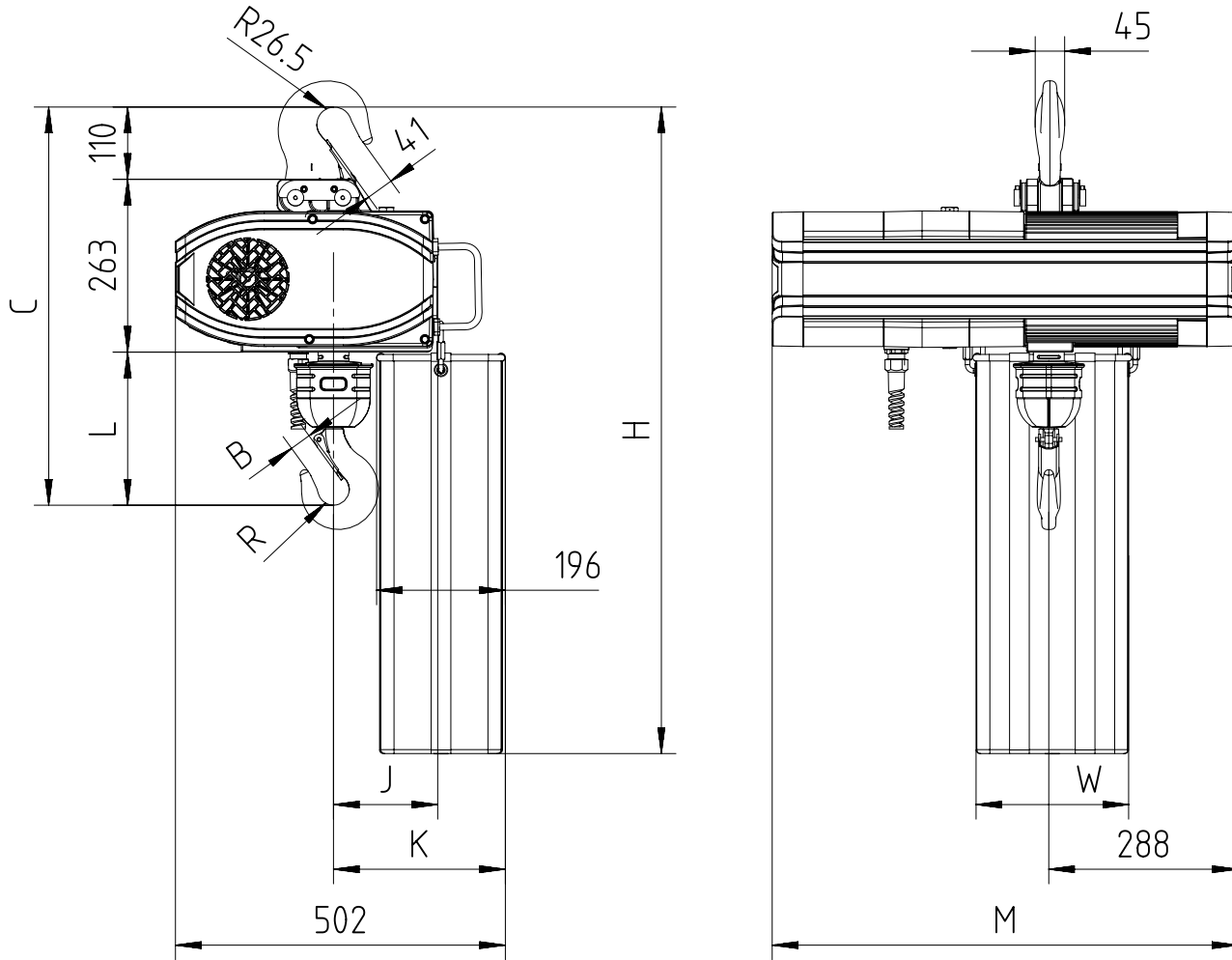


Hook suspended - Body up position



Chain Size (mm)	Max load (kg)	Falls	Chain bag capacity (m)	Dimensions (mm)									Weight of chain (kg/m)	Estimated weight of hoist w/o chain (Kg)			
				B	C	L	R	J	K	H	W	M		SB	GLS	DB	
												SB/GLS					DB
11.3X31	2500	1	20	33	611	238	24	159	262	990	232	587	709	2.85	120	125	126
			50							1360	410						
	5000	2	20 (*)	41	761	388	28	208	311	990	232						
			50 (*)							1360	410						

SB : Single Brake
DB : Double Brake

(*) In case of 2-fall hoist, available lifting height is half of the chain bag maximum capacity