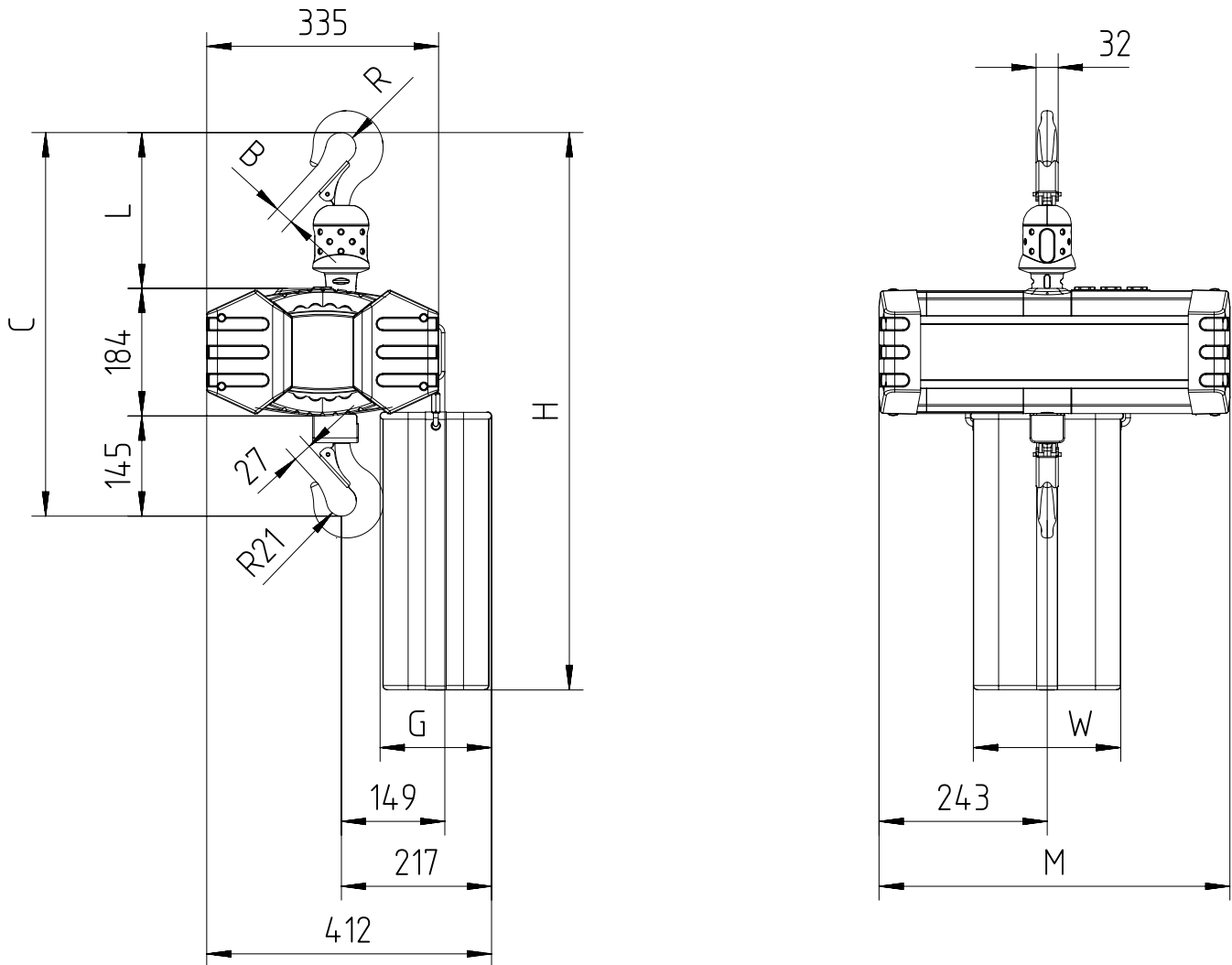


Body down (Climbing hoist configuration)



Chain Size (mm)	Max load (kg)	Falls	Chain bag capacity (m)	Dimensions (mm)								Weight of chain (kg/m)	Estimated weight of hoist w/o chain (Kg)			
				B	C	L	R	H	G	W	M		SB	GLS	DB	
											SB					GLS/DB
7X20	1000	1	20	27	554	225	21	805	161	213	507	545	1.1	45	48	47
			50					1005	196							
	2000	2	20	33	661	332	24	912	161					49	52	51
			50					1112	196							

SB : Single Brake
DB : Double Brake

R&M reserves the right to alter or amend the above information without notice.

DISCLOSED WITHOUT PRIOR WRITTEN CONSENT OF THE COMPANY . ANY COPIES OF THIS DOCUMENT MADE BY ANY METHOD MUST ALSO INCLUDE A COPY OF THIS LEGEND.